

特点:

- 支持 Intel® 11th Gen Core™ i3/i5/i7 -U 系列移动 CPU
- 1 个 DDR4 SO-DIMM 插槽, 最大支持 32GB
- HDMI、DP、VGA 三路显示输出,
- 可选 8 路光电隔离数字输入, 8 路光电隔离数字输出扩展
- 可选 4 路光源输出扩展
- 支持 WiFi/4G 无线扩展
- 内置 USB 2.0 Type-A 便于安装加密狗
- 支持桌面式、壁挂式、DIN 导轨
- 无风扇被动散热
- 12~28V 直流供电



程管理



状态监控



远程运维

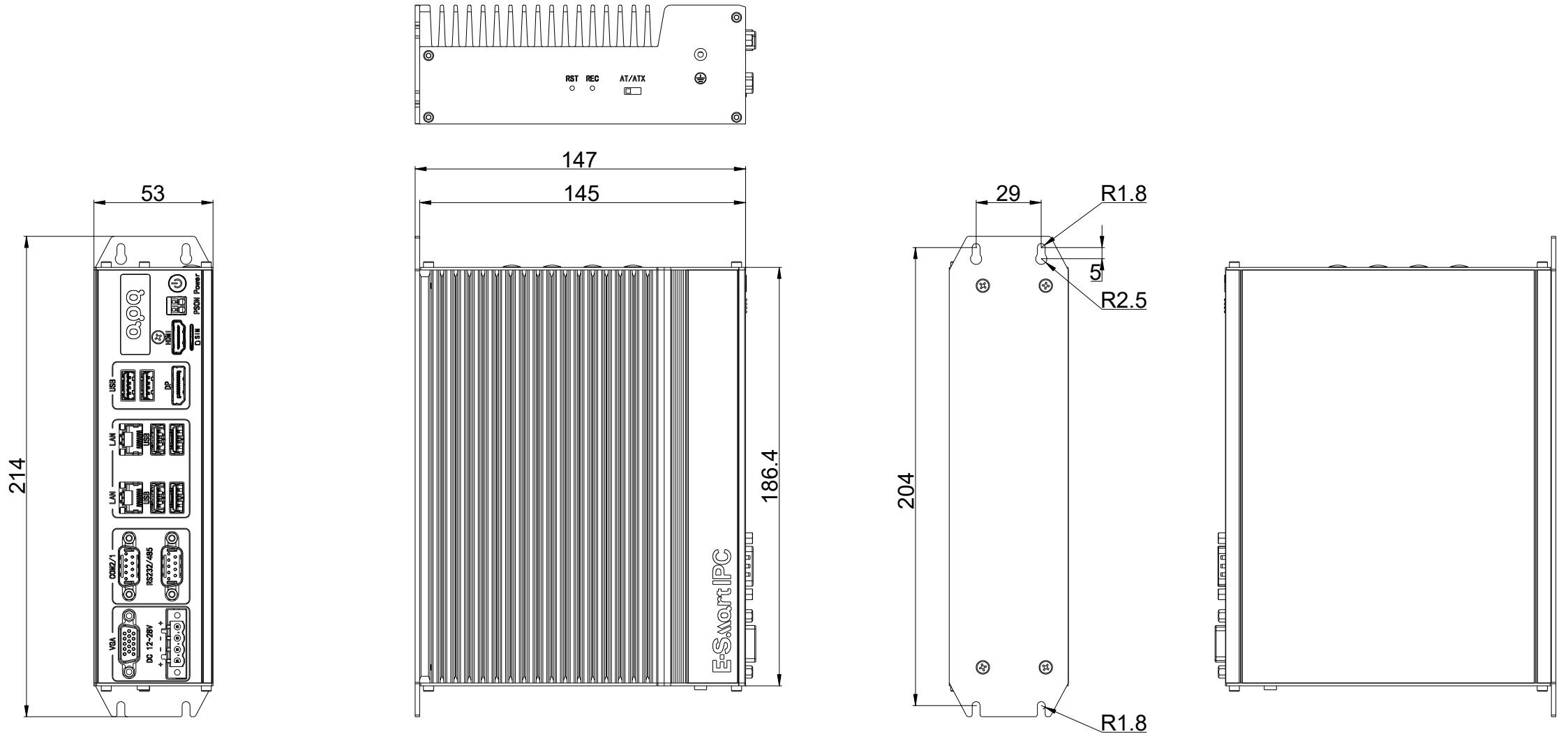


安全控制

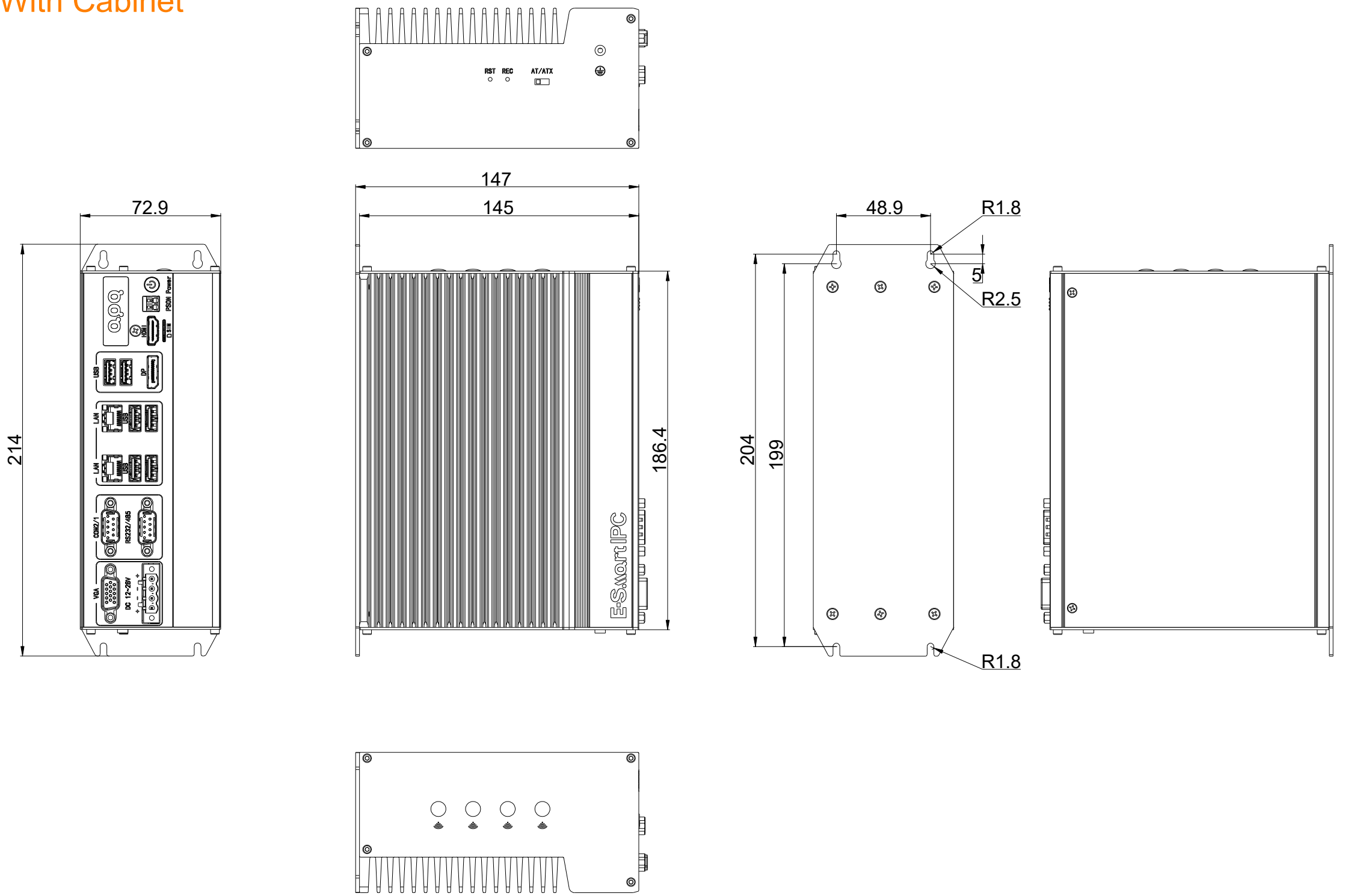
产品规格

Model		AK61xxA2
CPU	CPU	Intel® 11 th Generation Core™ i3/i5/i7 Mobile -U Processor
	Chipset	SoC
BIOS	BIOS	AMI UEFI BIOS
Memory	Socket	1 * DDR4 SO-DIMM Slot, up to 3200MHz
	Max Capacity	32GB
Graphics	Controller	Intel® UHD Graphics/Intel® Iris® Xe Graphics (Dependent on CPU)
Ethernet	Controller	1 * Intel® i210-AT GbE LAN Chip (10/100/1000 Mbps)
		1 * Intel® i219-LM GbE LAN Chip (10/100/1000 Mbps)
Storage	M.2	1 * M.2 Key-M (PCIe x4 Gen 3, NVMe SSD, 2280)
Expansin	Mini PCIe	1 * Mini PCIe (PCIe x1 Gen 2 + USB 2.0, with SIM card slot) 1 * Mini PCIe (USB 2.0, PCIe x1 Gen2 is optional)
	Optional Cabinet	1E
Front I/O	USB	4 * USB3.0 (Type-A) 2 * USB2.0 (Type-A)
	Serial	2 * RS232/485 (COM1/2, DB9/M, Full lanes, BIOS switch)
	Display	1 * HDMI: max resolution up to 4096*2304 @ 24Hz 1 * DP: max resolution up to 4096*2160 @ 60Hz 1 * VGA: max resolution up to 1920*1200 @ 60Hz
	LAN	2 * RJ45
	Power	1 * DC Power Input
	SIM	1 * Nano SIM Card slot (Mini PCIe module provide functional support)
	Button	1 * Power Button + Power LED 1 * PS_ON Connector
Bottom I/O	Switch	1 * AT/ATX Mode Switch (Enable/Disable automatically power on)
	Button	1 * Reset (Hold down 0.2 to 1s to restart, 3s to clear CMOS) 1 * OS Rec (system recovery)
Power Supply	Type	DC
	Power Input Voltage	12 ~ 28VDC Note: When using the light source, 24V input must be used.
	Connector	1 * 4Pin Power Input Connector (P= 5.08mm)
	RTC Battery	CR2032 Coin Cell
OS Support	Windows	Windows 10/11
	Linux	Linux
Watchdog	Output	System Reset
	Interval	Programmable via Software from 1 to 255 sec
Mechanical	Enclosure Material	Radiator/Box: Aluminum alloy, Top/Bottom Cover: SGCC
	Dimensions	53mm(L) * 145mm(W) * 186.4mm(H)
	Mounting	Wall mounted, DIN, Desktop
Environment	Heat Dissipation System	Passive Heat Dissipation
	Operating Temperature	-20~60°C (Industrial SSD)
	Storage Temperature	-40~80°C (Industrial SSD)
	Relative Humidity	5 to 90% RH (non-condensing)
	Vibration During Operation	With SSD: IEC 60068-2-64 (3Grms@5~500Hz, random, 1hr/axis)
	Shock During Operation	With SSD: IEC 60068-2-27 (30G, half sine, 11ms)

产品尺寸
AK61xx Box



With Cabinet



产品 I/O

AK61xx

