

特点:

- 全屏电阻触摸屏设计
- 模块化设计 12.1~21.5"可选,支持方屏/宽屏
- 前面板满足 IP65 要求
- 前面板集成 USB Type-A 和信号指示灯
- 采用 Intel® Celeron® J1900 超低功耗 CPU
- 板载 6 个 COM,支持两路隔离 RS485
- 集成双 Intel® 千兆网卡
- 双硬盘存储支持
- 支持 APQ MXM COM/GPIO 模块扩展
- 支持 WiFi/4G 无线扩展
- 嵌入式/VESA 安装
- 12~28V 直流供电



程管理



状态监控



远程运维

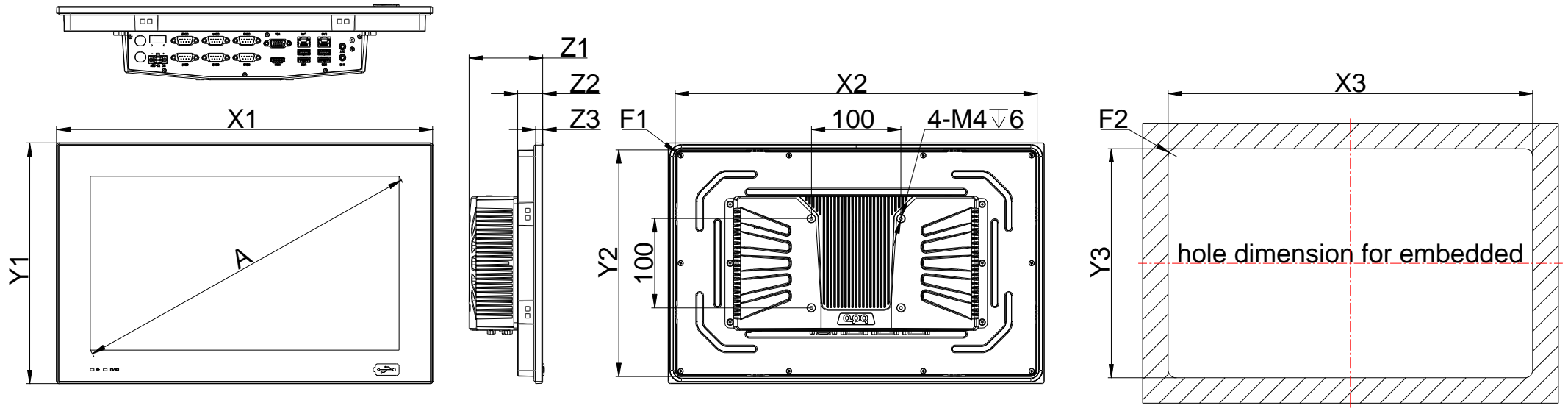


安全控制

产品规格

Model	PL121RQ-E5M	PL150RQ-E5M	PL156RQ-E5M	PL170RQ-E5M	PL185RQ-E5M	PL191RQ-E5M	PL215RQ-E5M		
LCD	Display Size	12.1"	15.0"	15.6"	17.0"	18.5"	21.5"		
	Display Type	XGA TFT-LCD	XGA TFT-LCD	FHD TFT-LCD	SXGA TFT-LCD	WXGA TFT-LCD	WXGA TFT-LCD		
	Max.Resolution	1024 x 768	1024 x 768	1920 x 1080	1280 x 1024	1366 x 768	1440 x 900		
	Luminance	350 cd/m2	300 cd/m2	350 cd/m2	250 cd/m2	250 cd/m2	250 cd/m2		
	Aspect Ratio	4:3	4:3	16:9	5:4	16:9	16:9		
	Viewing Angle	80/80/80/80°	88/88/88/88°	89/89/89/89°	85/85/80/80°	89/89/89/89°	85/85/80/80°		
	Max. Color	16.7M	16.7M	16.7M	16.7M	16.7M	16.7M		
	Backlight Lifetime	30,000 hr	70,000 hr	50,000 hr	30,000 hr	30,000 hr	30,000 hr		
	Contrast Ratio	800:1	2000:1	800:1	1000:1	1000:1	1000:1		
	Touchscreen	Touch Type	5-Wire Resistive Touch						
Controller		USB signal							
Input		Finger/Touch pen							
Light Transmission		≥78%							
Hardness		≥3H							
Click lifetime		100gf, 10 million times							
Stroke lifetime		100gf, 1 million times							
Processor System	CPU	Intel® Celeron® J1900							
	Base Frequency	2.00 GHz							
	Max Turbo Frequency	2.42 GHz							
	Cache	2MB							
	Total Cores/Threads	4/4							
	TDP	10W							
	Chipset	SOC							
	BIOS	AMI UEFI BIOS							
	Memory	Socket	1 * DDR3L-1333MHz SO-DIMM Slot						
		Max Capacity	8GB						
Graphics	Controller: Intel® HD Graphics								
Ethernet	Controller: 2 * Intel® i210-AT (10/100/1000 Mbps, RJ45)								
	SATA: 1 * SATA2.0 Connector (2.5-inch hard disk with 15+7pin)								
Storage	M.2: 1 * M.2 Key-M Slot (support SATA SSD, 2280)								
	MXM/aDoor: 1 * MXM slot (LPC+GPIO, support COM/GPIO MXM card)								
Expansion Slots	Mini PCIe: 1 * Mini PCIe Slot (PCIe2.0+USB2.0)								
	USB: 1 * USB3.0 (Type-A), 3 * USB2.0 (Type-A)								
Front I/O	Ethernet: 2 * RJ45								
	Display: 1 * VGA: max resolution up to 1920*1280@60Hz, 1 * HDMI: max resolution up to 1920*1280@60Hz								
	Audio: 1 * 3.5mm Line-out Jack, 1 * 3.5mm MIC Jack								
	Serial: 2 * RS232/485 (COM1/2, DB9/M), 4 * RS232 (COM3/4/5/6, DB9/M)								
	Power: 1 * 2Pin Power Input Connector (12~28V, P= 5.08mm)								
	Rear I/O: 4 * USB2.0 (Type-A)								
	SIM: 1 * Nano SIM Card slot (Mini PCIe module provides functional support)								
Internal I/O	Button: 1 * Power Button with LED								
	Front Panel: 1 * TFront Panel (3*USB2.0+Front Panel, 10x2Pin, PHD2.0), 1 * Front Panel (3x2Pin, PHD2.0)								
	FAN: 1 * SYS FAN (4x1Pin, MX1.25)								
	LPC: 1 * LPC (8x2Pin, PHD2.0)								
	PS/2: 1 * PS/2 (PS/2 keyboard + mouse, 6x1Pin, PH2.0)								
	USB: 2 * USB2.0 (5x2Pin, PH2.0)								
	Power: 1 * DCIN (power input, 4x1Pin, XH2.54)								
	Display: 1 * LVDS/eDP (Default LVDS, 20x2Pin, PHD2.0)								
	GPIO: 1 * 16bits DIO (8xDI and 8xDO, 10x2Pin, PHD2.0)								
	Audio: 1 * Front Audio (header, Line-Out + MIC, 5x2Pin 2.54mm), 1 * Speaker (2-W (per channel)/8-Ω Loads, 4x1Pin, PH2.0)								
Power Supply	Type: DC								
	Power Input Voltage: 12~28VDC								
	Connector: 1 * 2Pin Power Input Connector (12~28V, P= 5.08mm)								
	RTC Battery: CR2032 Coin Cell								
OS Support	Windows: Windows 7/8.1/10								
	Linux: Linux								
Watchdog	Output: System Reset								
	Interval: Programmable 1 ~ 255 sec								
Mechanical	Enclosure Material: Radiator/Panel: Aluminum, Box/Cover: SGCC								
	Mounting: VESA, embedded								
	Dimensions (L*W*H, Unit: mm): 321.9* 260.5*82.5, 380.1* 304.1*82.5, 420.3* 269.7*82.5, 414* 346.5*82.5, 485.7* 306.3*82.5, 484.6* 332.5*82.5, 550* 344*82.5								
	Weight: Net: 3.9Kg, Total: 6.2Kg, Net: 5.3Kg, Total: 7.7Kg, Net: 5.2Kg, Total: 7.6Kg, Net: 6Kg, Total: 8.5Kg, Net: 5.9Kg, Total: 8.5Kg, Net: 6.6Kg, Total: 9.3Kg, Net: 6.8Kg, Total: 9.6Kg								
Environment	Heat Dissipation System: Passive heat dissipation								
	Operating Temperature: -20~60°C, -20~60°C, -20~60°C, 0~50°C, 0~50°C, 0~50°C, 0~60°C								
	Storage Temperature: -30~80°C, -30~70°C, -30~70°C, -20~60°C, -20~60°C, -20~60°C, -20~60°C								
	Relative Humidity: 10 to 95% RH (non-condensing)								
	Vibration During Operation: With SSD: IEC 60068-2-64 (1Grms@5~500Hz, random, 1hr/axis), Shock During Operation: With SSD: IEC 60068-2-27 (15G, half sine, 11ms)								

## 产品尺寸



A	System Dimension					Panel Mount					
	X1	Y1	Z1	X2	Y2	Z2	X3	Y3	Z3	F1	F2
12.1"	321.9	260.5	82.5	307	245.6	28	309.8	248.4	8	7.1	8.5
15.0"	380.1	304.1	82.5	364.2	288.2	28	367	291	8	7.1	8.5
15.6"	420.3	269.7	82.5	404.5	253.8	28	407.3	256.6	8	7.1	8.5
17.0"	414	346.5	82.5	398.2	330.6	28	401	333.4	8	7.1	8.5
18.5"	485.7	306.3	82.5	469.8	290.4	28	472.6	293.2	8	7.1	8.5
19.1"	484.6	332.5	82.5	468.7	316.6	28	471.5	319.4	8	7.1	8.5
21.5"	550	344	82.5	538.7	327.7	28	539.5	330.9	8	7.1	8.5

## 产品 I/O

