

特点:

- 全屏电容触摸屏设计
- 模块化设计 10.1~21.5"可选,支持方屏/宽屏
- 前面板满足 IP65 要求
- 前面板集成 USB Type-A 和信号指示灯
- 采用 Intel® Celeron® J1900 超低功耗 CPU
- 集成双 Intel®千兆网卡
- 双硬盘存储支持
- 支持 APQ aDoor 模块扩展
- 支持 WiFi/4G 无线扩展
- 无风扇设计
- 嵌入式/VESA 安装
- 12~28V 直流供电



程管理



状态监控



远程运维

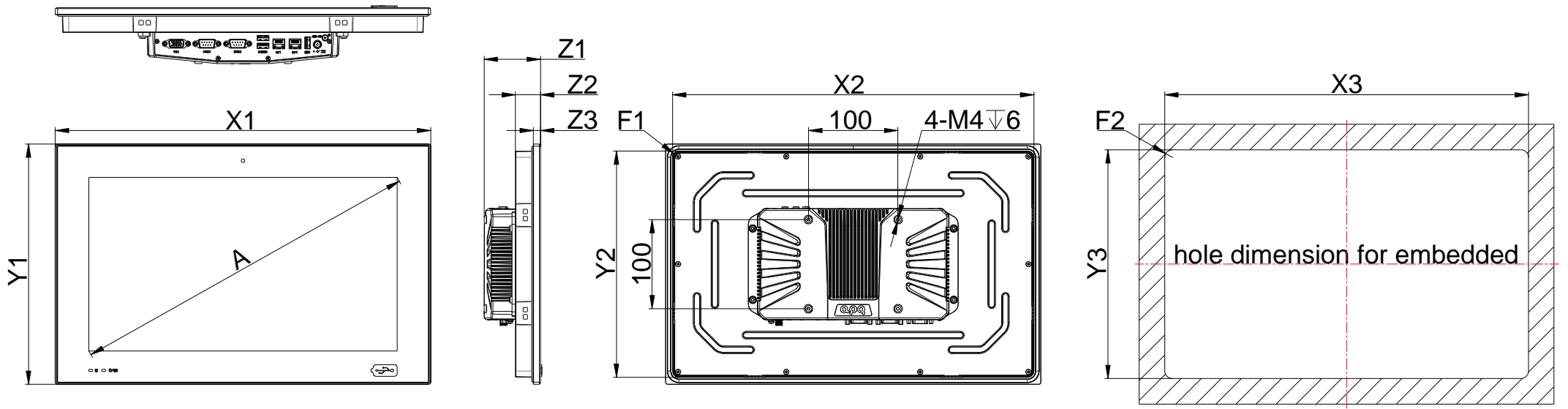


安全控制

产品规格

Model	PL101CQ-E5	PL104CQ-E5	PL121CQ-E5	PL150CQ-E5	PL156CQ-E5	PL170CQ-E5	PL185CQ-E5	PL191CQ-E5	PL215CQ-E5	
LCD	Display Size	10.1"	10.4"	12.1"	15.0"	15.6"	17.0"	18.5"	19.0"	21.5"
	Display Type	WXGA TFT-LCD	XGA TFT-LCD	XGA TFT-LCD	XGA TFT-LCD	FHD TFT-LCD	SXGA TFT-LCD	WXGA TFT-LCD	WXGA TFT-LCD	FHD TFT-LCD
	Max.Resolution	1280 x 800	1024 x 768	1024 x 768	1024 x 768	1920 x 1080	1280 x 1024	1366 x 768	1440 x 900	1920 x 1080
	Luminance	400 cd/m2	350 cd/m2	350 cd/m2	300 cd/m2	350 cd/m2	250 cd/m2	250 cd/m2	250 cd/m2	250 cd/m2
	Aspect Ratio	16:10	4:3	4:3	4:3	16:9	5:4	16:9	16:10	16:9
	Viewing Angle	89/89/89/89°	88/88/88/88°	80/80/80/80°	88/88/88/88°	89/89/89/89°	85/85/80/80°	89/89/89/89°	85/85/80/80°	89/89/89/89°
	Max. Color	16.7M	16.2M	16.7M	16.7M	16.7M	16.7M	16.7M	16.7M	16.7M
	Backlight Lifetime	20,000 hr	50,000 hr	30,000 hr	70,000 hr	50,000 hr	30,000 hr	30,000 hr	30,000 hr	50,000 hr
Contrast Ratio	800:1	1000:1	800:1	2000:1	800:1	1000:1	1000:1	1000:1	1000:1	
Touchscreen	Touch Type	Projected Capacitive Touch								
	Controller	USB Signal								
	Input	Finger/Capacitive Touch Pen								
	Light Transmission	≥85%								
	Hardness	≥6H								
Processor System	CPU	Intel® Celeron® J1900								
	Base Frequency	2.00 GHz								
	Max Turbo Frequency	2.42 GHz								
	Cache	2MB								
	Total Cores/Threads	4/4								
	TDP	10W								
	Chipset	SOC								
	BIOS	AMI UEFI BIOS								
Memory	Socket	DDR3L-1333 MHz (Onboard)								
	Max Capacity	4GB								
Graphics	Controller	Intel® HD Graphics								
Ethernet	Controller	2 * Intel® i210-AT (10/100/1000 Mbps, RJ45)								
Storage	SATA	1 * SATA2.0 Connector (2.5-inch hard disk with 15+7pin)								
	mSATA	1 * mSATA Slot								
Expansion Slots	aDoor	1 * aDoor Expansion Module								
	Mini PCIe	1 * Mini PCIe Slot (PCIe 2.0x1 + USB2.0)								
Front I/O	USB	2 * USB3.0 (Type-A) 1 * USB2.0 (Type-A)								
	Ethernet	2 * RJ45								
	Display	1 * VGA: max resolution up to 1920*1200@60Hz								
	Serial	2 * RS232/485 (COM1/2, DB9/M)								
	Power	1 * Power Input Connector (12~28V)								
Rear I/O	USB	1 * USB3.0 (Type-A) 1 * USB2.0 (Type-A)								
	SIM	1 * SIM Card slot (Mini PCIe module provides functional support)								
	Button	1 * Power Button+Power LED								
	Audio	1 * 3.5mm Line-out Jack 1 * 3.5mm MIC Jack								
	Display	1 * HDMI: max resolution up to 1920*1200 @ 60Hz								
Internal I/O	Front Panel	1 * TFront Panel (3*USB2.0+Front Panel, 10x2Pin, PHD2.0) 1 * Front Panel (3x2Pin, PHD2.0)								
	FAN	1 * SYS FAN (4x1Pin, MX1.25)								
	Serial	2 * COM (JCOM3/4, 5x2Pin, PHD2.0)								
	USB	2 * USB2.0 (5x2Pin, PHD2.0) 1 * USB2.0 (4x1Pin, PHD2.0)								
	Display	1 * LVDS (20x2Pin, PHD2.0)								
	Audio	1 * Front Audio (header, Line-Out + MIC, 5x2Pin 2.00mm) 1 * Speaker (wafer, 2-W (per channel)/8-Ω Loads, 4x1Pin 2.0mm)								
	GPIO	1 * 8bits DIO (4xDI and 4xDO, 10x1Pin MX1.25)								
Power Supply	Type	DC								
	Power Input Voltage	12~28VDC								
	Connector	1 * DC5525 with lock								
	RTC Battery	CR2032 Coin Cell								
OS Support	Windows	Windows 7/8.1/10								
	Linux	Linux								
Watchdog	Output	System Reset								
	Interval	Programmable 1 ~ 255 sec								
Mechanical	Enclosure Material	Radiator/Panel: Aluminum, Box/Cover: SGCC								
	Mounting	VESA, embedded								
	Dimensions (L*W*H, Unit: mm)	272.1*192.7*63	284* 231.2 *63	321.9* 260.5*63	380.1* 304.1*63	420.3* 269.7*63	414* 346.5*63	485.7* 306.3*63	484.6* 332.5*63	550* 344*63
Environment	Weight	Net: 2.7Kg, Total: 4.9Kg	Net: 2.8Kg, Total: 5.1Kg	Net: 3.0Kg, Total: 5.4Kg	Net: 4.4Kg, Total: 6.9Kg	Net: 4.3Kg, Total: 6.8Kg	Net: 5.2Kg, Total: 7.8Kg	Net: 5.1Kg, Total: 7.8Kg	Net: 5.7Kg, Total: 8.6Kg	Net: 6.0Kg, Total: 8.9Kg
	Heat Dissipation System	Passive heat dissipation								
	Operating Temperature	-20~60°C	-20~60°C	-20~60°C	-20~60°C	-20~60°C	0~50°C	0~50°C	0~50°C	0~60°C
	Storage Temperature	-20~60°C	-20~70°C	-30~80°C	-30~70°C	-30~70°C	-20~60°C	-20~60°C	-20~60°C	-20~60°C
	Relative Humidity	10 to 95% RH (non-condensing)								
Vibration During Operation	With SSD: IEC 60068-2-64 (1Grms@5~500Hz, random, 1hr/axis)									
Shock During Operation	With SSD: IEC 60068-2-27 (15G, half sine, 11ms)									

## 产品尺寸



A	System Dimension						Panel Mount				
	X1	Y1	Z1	X2	Y2	Z2	X3	Y3	Z3	F1	F2
10.1"	272.1	192.7	63	260.9	181.5	28	262.5	183.1	8	6.9	7.8
10.4"	284	231.2	63	268.1	215.3	28	269.9	217.1	8	7.1	8.5
12.1"	321.9	260.5	63	307	245.6	28	309.8	248.4	8	7.1	8.5
15.0"	380.1	304.1	63	364.2	288.2	28	367	291	8	7.1	8.5
15.6"	420.3	269.7	63	404.5	253.8	28	407.3	256.6	8	7.1	8.5
17.0"	414	346.5	63	398.2	330.6	28	401	333.4	8	7.1	8.5
18.5"	485.7	306.3	63	469.8	290.4	28	472.6	293.2	8	7.1	8.5
19.1"	484.6	332.5	63	468.7	316.6	28	471.5	319.4	8	7.1	8.5
21.5"	550	344	63	538.7	327.7	28	539.5	330.9	8	7.1	8.5

## 产品 I/O

