

特点:

- 全屏电容触摸屏设计
- 模块化设计 12.1~21.5"可选,支持方屏/宽屏
- 前面板满足 IP65 要求
- 前面板集成 USB Type-A 和信号指示灯
- 采用 Intel® Celeron® J1900 超低功耗 CPU
- 板载 6 个 COM,支持两路隔离 RS485
- 集成双 Intel®千兆网卡
- 双硬盘存储支持
- 支持 APQ MXM COM/GPIO 模块扩展
- 支持 WiFi/4G 无线扩展
- 嵌入式/VESA 安装
- 12~28V 直流供电



程管理



状态监控



远程运维

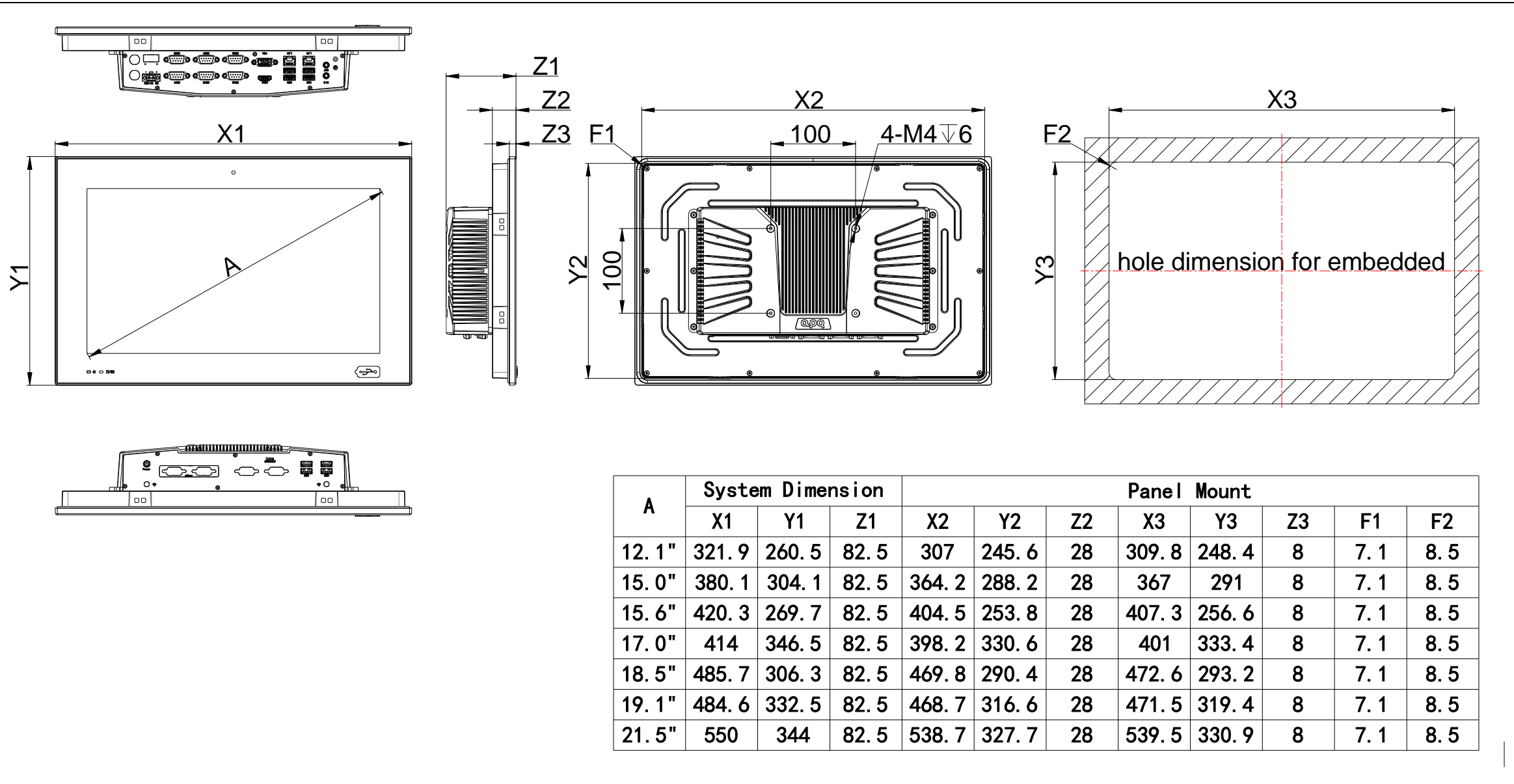


安全控制

产品规格

Model	PL121CQ-E5M	PL150CQ-E5M	PL156CQ-E5M	PL170CQ-E5M	PL185CQ-E5M	PL191CQ-E5M	PL215CQ-E5M	
LCD	Display Size	12.1"	15.0"	15.6"	17.0"	18.5"	21.5"	
	Display Type	XGA TFT-LCD	XGA TFT-LCD	FHD TFT-LCD	SXGA TFT-LCD	WXGA TFT-LCD	WXGA TFT-LCD	
	Max. Resolution	1024 x 768	1024 x 768	1920 x 1080	1280 x 1024	1366 x 768	1440 x 900	
	Luminance	350 cd/m2	300 cd/m2	350 cd/m2	250 cd/m2	250 cd/m2	250 cd/m2	
	Aspect Ratio	4:3	4:3	16:9	5:4	16:9	16:9	
	Viewing Angle	80/80/80/80°	88/88/88/88°	89/89/89/89°	85/85/80/80°	89/89/89/89°	85/85/80/80°	
	Max. Color	16.7M	16.7M	16.7M	16.7M	16.7M	16.7M	
	Backlight Lifetime	30,000 hr	70,000 hr	50,000 hr	30,000 hr	30,000 hr	30,000 hr	
	Contrast Ratio	800:1	2000:1	800:1	1000:1	1000:1	1000:1	
Touchscreen	Touch Type	Projected Capacitive Touch						
	Controller	USB Signal						
	Input	Finger/Capacitive Touch Pen						
	Light Transmission	≥85%						
Processor System	CPU	Intel® Celeron® J1900						
	Base Frequency	2.00 GHz						
	Max Turbo Frequency	2.42 GHz						
	Cache	2MB						
	Total Cores/Threads	4/4						
	TDP	10W						
	Chipset	SOC						
	BIOS	AMI UEFI BIOS						
Memory	Socket	1 * DDR3L-1333MHz SO-DIMM Slot						
	Max Capacity	8GB						
Graphics	Controller	Intel® HD Graphics						
Ethernet	Controller	2 * Intel® i210-AT (10/100/1000 Mbps, RJ45)						
Storage	SATA	1 * SATA2.0 Connector (2.5-inch hard disk with 15+7pin)						
	M.2	1 * M.2 Key-M Slot (support SATA SSD, 2280)						
Expansion Slots	MXM/aDoor	1 * MXM slot (LPC+GPIO, support COM/GPIO MXM card)						
	Mini PCIe	1 * Mini PCIe Slot (PCIe2.0+USB2.0)						
Front I/O	USB	1 * USB3.0 (Type-A) 3 * USB2.0 (Type-A)						
	Ethernet	2 * RJ45						
	Display	1 * VGA: max resolution up to 1920*1280@60Hz 1 * HDMI: max resolution up to 1920*1280@60Hz						
	Audio	1 * 3.5mm Line-out Jack 1 * 3.5mm MIC Jack						
	Serial	2 * RS232/485 (COM1/2, DB9/M) 4 * RS232 (COM3/4/5/6, DB9/M)						
Rear I/O	Power	1 * 2Pin Power Input Connector (12~28V, P= 5.08mm)						
	USB	4 * USB2.0 (Type-A)						
	SIM	1 * Nano SIM Card slot (Mini PCIe module provides functional support)						
Internal I/O	Button	1 * Power Button with LED						
	Front Panel	1 * TFront Panel (3*USB2.0+Front Panel, 10x2Pin, PHD2.0) 1 * Front Panel (3x2Pin, PHD2.0)						
	FAN	1 * SYS FAN (4x1Pin, MX1.25)						
	LPC	1 * LPC (8x2Pin, PHD2.0)						
	PS/2	1 * PS/2 (PS/2 keyboard + mouse, 6x1Pin, PH2.0)						
	USB	2 * USB2.0 (5x2Pin, PH2.0)						
	Power	1 * DCIN (power input, 4x1Pin, XH2.54)						
	Display	1 * LVDS/eDP (Default LVDS, 20x2Pin, PHD2.0)						
	GPIO	1 * 16bits DIO (8xDI and 8xDO, 10x2Pin, PHD2.0)						
	Audio	1 * Front Audio (header, Line-Out + MIC, 5x2Pin 2.54mm) 1 * Speaker (2-W (per channel)/8-Ω Loads, 4x1Pin, PH2.0)						
Power Supply	Type	DC						
	Power Input Voltage	12~28VDC						
	Connector	1 * 2Pin Power Input Connector (12~28V, P= 5.08mm)						
	RTC Battery	CR2032 Coin Cell						
OS Support	Windows	Windows 7/8.1/10						
	Linux	Linux						
Watchdog	Output	System Reset						
	Interval	Programmable 1 ~ 255 sec						
Mechanical	Enclosure Material	Radiator/Panel: Aluminum, Box/Cover: SGCC						
	Mounting	VESA, embedded						
	Dimensions (L*W*H, Unit: mm)	321.9* 260.5*82.5	380.1* 304.1*82.5	420.3* 269.7*82.5	414* 346.5*82.5	485.7* 306.3*82.5	484.6* 332.5*82.5	550* 344*82.5
Environment	Weight	Net: 3.9Kg, Total: 6.2Kg	Net: 5.3Kg, Total: 7.7Kg	Net: 5.2Kg, Total: 7.6Kg	Net: 6Kg, Total: 8.5Kg	Net: 5.9Kg, Total: 8.5Kg	Net: 6.6Kg, Total: 9.3Kg	Net: 6.8Kg, Total: 9.6Kg
	Heat Dissipation System	Passive heat dissipation						
	Operating Temperature	-20~60°C	-20~60°C	-20~60°C	0~50°C	0~50°C	0~50°C	0~60°C
	Storage Temperature	-30~80°C	-30~70°C	-30~70°C	-20~60°C	-20~60°C	-20~60°C	-20~60°C
	Relative Humidity	10 to 95% RH (non-condensing)						
Vibration During Operation	With SSD: IEC 60068-2-64 (1Grms@5~500Hz, random, 1hr/axis)							
Shock During Operation	With SSD: IEC 60068-2-27 (15G, half sine, 11ms)							

产品尺寸



产品 I/O

