


特点:

- 电阻触摸屏设计
- 模块化设计 17/19"可选,支持方屏/宽屏
- 前面板满足 IP65 要求
- 前面板集成 USB Type-A 和信号指示灯
- 支持 Intel® 4/5th Gen Core / Pentium/ Celeron Desktop CPU, TDP 65W,
- 搭配 Intel® H81 芯片组
- 2 个 Intel 千兆网络接口和 4 个 DB9 串口
- M.2 和 2.5 寸硬盘位存储支持
- 4 路显示输出 VGA,DVI-D,DP++和内部 LVDS,最高支持 4K@60Hz 分辨率
- 9~36V 直流供电 (可选 12V)
- 上架式/VESA 安装



远程管理



状态监控



远程运维



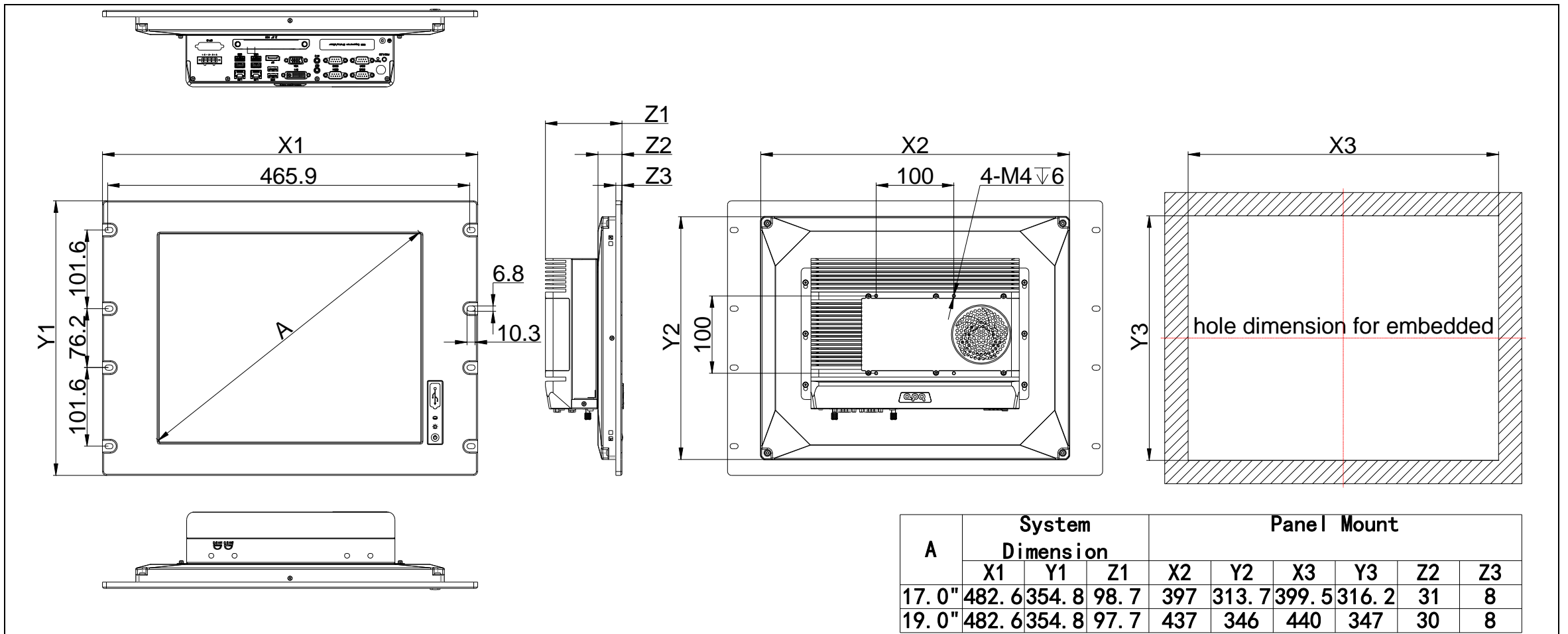
安全控制

产品规格

Model	PG170RF-E7S	PG190RF-E7S	
LCD	Display Size	17.0"	19.0"
	Display Type	SXGA TFT-LCD	SXGA TFT-LCD
	Max. Resolution	1280 x 1024	1280 x 1024
	Luminance	250 cd/m2	250 cd/m2
	Aspect Ratio	5:04	5:04
	Viewing Angle	85/85/80/80°	89/89/89/89°
	Max. Color	16.7M	16.7M
	Backlight Lifetime	30,000 hr	30,000 hr
	Contrast Ratio	1000:01:00	1000:01:00
Touchscreen	Touch Type	5-Wire Resistive Touch	
	Controller	USB signal	
	Input	Finger/Touch pen	
	Light Transmission	≥78%	
	Hardness	≥3H	
	Click lifetime	100gf, 10 million times	
	Stroke lifetime	100gf, 1 million times	
	Response time	≤15ms	
Processor System	CPU	Intel® 4/5th Generation Core / Pentium/ Celeron Desktop CPU	
	TDP	65W	
	Socket	LGA1150	
	Chipset	Intel® H81	
	BIOS	AMI UEFI BIOS (Support Watchdog Timer)	
Memory	Socket	2 * Non-ECC SO-DIMM Slot, Dual Channel DDR3 up to 1600MHz	
	Max Capacity	16GB, Single Max. 8GB	
Graphics	Controller	Intel® HD Graphics	
Ethernet	Controller	1 * Intel i210-AT GbE LAN Chip (10/100/1000 Mbps) 1 * Intel i218-LM/V GbE LAN Chip (10/100/1000 Mbps)	
Storage	SATA	1 * SATA3.0, Quick release 2.5" hard disk bays (T≤7mm) 1 * SATA2.0, Internal 2.5" hard disk bays (T≤9mm, Optional)	
	M.2	1 * M.2 Key-M (SATA3.0, 2280)	
Expansion Slots	MXM/aDoor	1 * APQ MXM (Optional MXM 4 * LAN/4 * POE/6 * COM/16 * GPIO expansion card) 1 * aDoor Expansion Slot	
	Mini PCIe	1 * Mini PCIe (PCIe2.0 x1 (Share PCIe signal with MXM, optional) + USB 2.0, with 1*Nano SIM Card)	
Front I/O	Ethernet	2 * RJ45	
	USB	2 * USB3.0 (Type-A, 5Gbps) 4 * USB2.0 (Type-A)	
	Display	1 * DVI-D: max resolution up to 1920*1200 @ 60Hz 1 * VGA (DB15/F): max resolution up to 1920*1200 @ 60Hz 1 * DP: max resolution up to 4096*2160 @ 60Hz	
	Audio	2 * 3.5mm Jack (Line-Out + MIC)	
	Serial	2 * RS232/422/485 (COM1/2, DB9/M, Full Lanes, BIOS Switch) 2 * RS232 (COM3/4, DB9/M)	
	Button	1 * Power Button + Power LED 1 * System Reset Button (Hold down 0.2 to 1s to restart, and hold down 3s to clear CMOS)	
Rear I/O	Antenna	4 * Antenna hole	
	SIM	1 * Nano SIM card slot (SIM1)	
Internal I/O	USB	2 * USB2.0 (wafer)	
	LCD	1 * LVDS (wafer): max resolution up to 1920*1200 @ 60Hz	
	TFront Panel	1 * TF_Panel (3 * USB 2.0 + FPANEL, wafer)	
	Front Panel	1 * Front Panel (PWR + RST + LED, wafer)	
	Speaker	1 * Speaker (2-W (per channel)/8-Ω Loads, wafer)	
	Serial	2 * RS232 (COM5/6, wafer)	
	GPIO	1 * 16 bits DIO (8xDI and 8xDO, wafer)	
	LPC	1 * LPC (wafer)	
	SATA	2 * SATA 7P Connector	
	SATA Power	2 * SATA Power (SATA_PWR1/2, wafer)	
	FAN	1 * CPU FAN (wafer) 2 * SYS FAN (wafer)	

Power Supply	Type	DC, AT/ATX	
	Power Input Voltage	9 ~ 36VDC, P≤240W	
	Connector	1 * 4Pin Connector, P=5.00/5.08	
	RTC Battery	CR2032 Coin Cell	
OS Support	Windows	Windows 7/10/11	
	Linux	Linux	
Watchdog	Output	System Reset	
	Interval	Programmable via Software from 1 to 255 sec	
Mechanical	Enclosure Material	Radiator/Panel: Aluminum, Box/Cover: SGCC	
	Mounting	Rack-mount, VESA	
	Dimensions	482.6mm(L) * 354.8mm(W) * 98.7mm(H)	482.6mm(L) * 354.8mm(W) * 97.7mm(H)
	Weight	Net: 8.7kg, Total:11.7kg	Net: 9.kg, Total: 13.1kg
Environment	Heat Dissipation System	PWM Fan Cooling	
	Operating Temperature	0~50°C	0~50°C
	Storage Temperature	-20~60°C	-20~60°C
	Relative Humidity	10 to 95% RH (non-condensing)	
	Vibration During Operation	With SSD: IEC 60068-2-64 (1Grms@5~500Hz, random, 1hr/axis)	
	Shock During Operation	With SSD: IEC 60068-2-27 (15G, half sine, 11ms)	

产品尺寸



产品 I/O

