


**特点:**

- 电阻触摸屏设计
- 模块化设计 17/19"可选,支持方屏/宽屏
- 前面板满足 IP65 要求
- 前面板集成 USB Type-A 和信号指示灯
- 支持 Intel® 12/13th Gen Core / Pentium/ Celeron Desktop CPU, TDP 35W, LGA1700
- 搭配 Intel® Q670 芯片组
- 2 个 Intel 网络接口 (1\*1GbE & 1\*2.5GbE)
- 3 路显示输出 HDMI, DP++和内部 LVDS, 最高支持 4K@60Hz 分辨率
- 丰富的 USB、串口扩展接口和 PCIe、mini PCIe、M.2 扩展插槽
- 无风扇被动式散热
- 上架式/VESA 安装



远程管理



状态监控



远程运维



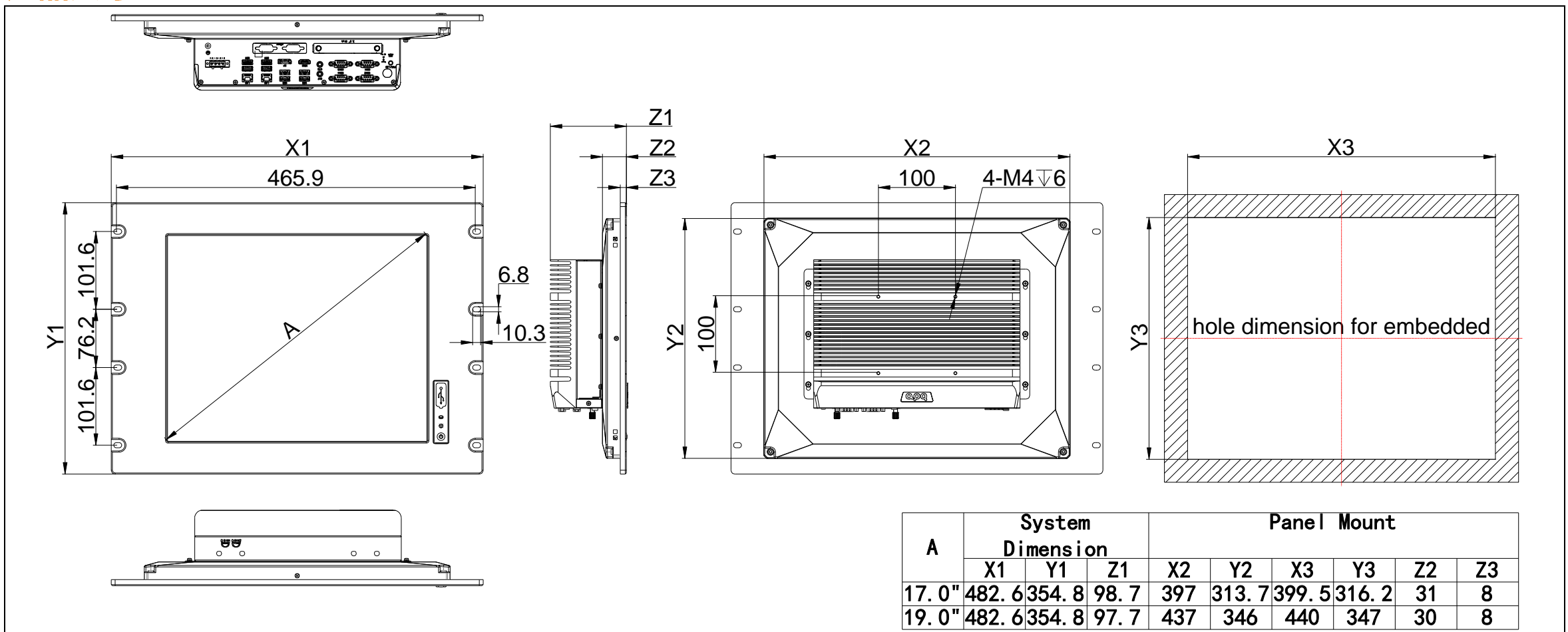
安全控制

**产品规格**

Model	PG170RF-E7L	PG190RF-E7L	
<b>LCD Panel</b>	Display Size	17.0" (SXGA)a-Si TFT-LCD	19.0" (SXGA)a-Si TFT-LCD
	Display Type	SXGA TFT-LCD	SXGA TFT-LCD
	Max. Resolution	1280 x 1024	1280 x 1024
	Luminance	250 cd/m2	250 cd/m2
	Aspect Ratio	5:4	5:4
	Viewing Angle	85/85/80/80°	89/89/89/89°
	Max. Color	16.7M	16.7M
	Backlight Lifetime	30,000 hr	30,000 hr
	Contrast Ratio	1000:1	1000:1
<b>Touchscreen</b>	Touch Type	Five-wire Analog Resistive	
	Controller	USB Signal	
	Input	Finger/Touch Pen	
	Light Transmission	> 78%	
	Hardness	3H	
	Click lifetime	100gf, 10 million times	
	Stroke lifetime	100gf, 1 million times	
Response time	≤15ms		
<b>Processor System</b>	CPU	Intel® 12/13th Generation Core / Pentium/ Celeron Desktop CPU	
	TDP	35W	
	Socket	LGA1700	
	Chipset	Q670	
	BIOS	AMI 256 Mbit SPI	
<b>Memory</b>	Socket	2 * Non-ECC SO-DIMM Slot, Dual Channel DDR4 up to 3200MHz	
	Max Capacity	64GB, Single Max. 32GB	
<b>Graphics</b>	Controller	Intel® UHD Graphics	
<b>Ethernet</b>	Controller	1 * Intel i219-LM 1GbE LAN Chip (LAN1, 10/100/1000 Mbps, RJ45) 1 * Intel i225-V 2.5GbE LAN Chip (LAN2, 10/100/1000/2500 Mbps, RJ45)	
	Storage	1 * SATA3.0, Quick release 2.5" hard disk bays (T≤7mm) 1 * SATA3.0, Internal 2.5" hard disk bays (T≤9mm, Optional) Support RAID 0, 1	
<b>Expansion Slots</b>	M.2	1 * M.2 Key-M (PCIe x4 Gen 4 + SATA3.0, NVMe/SATA SSD Auto Detect, 2242/2260/2280)	
	aDoor	1 * aDoor Bus (Optional 4 * LAN/4 * POE/6 * COM/16 * GPIO expansion card)	
	Mini PCIe	2 * Mini PCIe (PCIe x1 Gen 3 + USB 2.0, with 1 * SIM Card)	
	M.2	1 * M.2 Key-E (PCIe x1 Gen 3 + USB 2.0, 2230)	
<b>Front I/O</b>	Ethernet	2 * RJ45	
	USB	2 * USB3.2 Gen2x1 (Type-A, 10Gbps) 6 * USB3.2 Gen 1x1 (Type-A, 5Gbps)	
	Display	1 * HDMI1.4b: max resolution up to 4096*2160 @ 30Hz 1 * DP1.4a: max resolution up to 4096*2160 @ 60Hz	
	Audio	2 * 3.5mm Jack (Line-Out + MIC)	
	Serial	2 * RS232/485/422 (COM1/2, DB9/M, Full Lanes, BIOS Switch) 2 * RS232 (COM3/4, DB9/M, Full Lanes)	
	Button	1 * Power Button + Power LED 1 * AT/ATX Button 1 * OS Recover Button 1 * System Reset Button	
<b>Rear I/O</b>	Antenna	4 * Antenna hole	
	SIM	2 * Nano SIM card slots	
<b>Internal I/O</b>	USB	6 * USB2.0 (wafer)	
	LCD	1 * LVDS (wafer): LVDS Resolution up to 1920*1200 @ 60Hz	
	Front Panel	1 * FPanel (PWR+RST+LED, wafer)	
	Audio	1 * Audio (Header) 1 * Speaker (2-W (per channel)/8-Ω Loads, wafer)	
	Serial	2 * RS232 (COM5/6, wafer)	
	GPIO	1 * 16 bits DIO (8xDI and 8xDO, wafer)	
	LPC	1 * LPC (wafer)	
	SATA	3 * SATA 7P Connector, up to 600MB/s	
	SATA Power	3 * SATA Power (wafer)	
	FAN	1 * CPU FAN (wafer) 2 * SYS FAN (KF2510-4A)	

<b>Power Supply</b>	Type	DC, AT/ATX	
	Power Input Voltage	9~36VDC, P≤240W 18~60VDC, P≤400W	
	Connector	1 * 4Pin Connector, P=5.00/5.08	
	RTC Battery	CR2032 Coin Cell	
<b>OS Support</b>	Windows	Windows 10/11	
	Linux	Linux	
<b>Watchdog</b>	Output	System Reset	
	Interval	Programmable 1 ~ 255 sec	
<b>Mechanical</b>	Enclosure Material	Radiator/Panel: Aluminum, Box/Cover: SGCC	
	Mounting	Rack-mount, VESA	
	Dimensions (L * W * H, Unit: mm)	482.6*354.8*98.7	482.6*354.8*97.7
	Weight	Net: 8.7Kg Total: 11.7Kg	Net: 9.1Kg Total: 13.1Kg
<b>Environment</b>	Heat Dissipation System	Passive heat dissipation	
	Operating Temperature	0~50°C	0~50°C
	Storage Temperature	-20~60°C	-20~60°C
	Relative Humidity	10 to 95% RH (non-condensing)	
	Vibration During Operation	With SSD: IEC 60068-2-64 (1Grms@5~500Hz, random, 1hr/axis)	
	Shock During Operation	With SSD: IEC 60068-2-27 (15G, half sine, 11ms)	

## 产品尺寸



## 产品 I/O

