



特点:

- 电阻触摸屏设计
- 模块化设计 17/19"可选,支持方屏/宽屏
- 前面板满足 IP65 要求
- 前面板集成 USB Type-A 和信号指示灯
- 采用 Intel® 11th-U 移动平台 CPU
- 集成双 Intel®千兆网卡
- 双硬盘存储支持,2.5"硬盘可抽拉设计
- 支持 APQ aDoor 模块扩展
- 支持 WiFi/4G 无线扩展
- 无风扇设计、可拆卸式散热器
- 上架式/VESA 安装
- 12~28V 直流供电



程管理



状态监控



远程运维

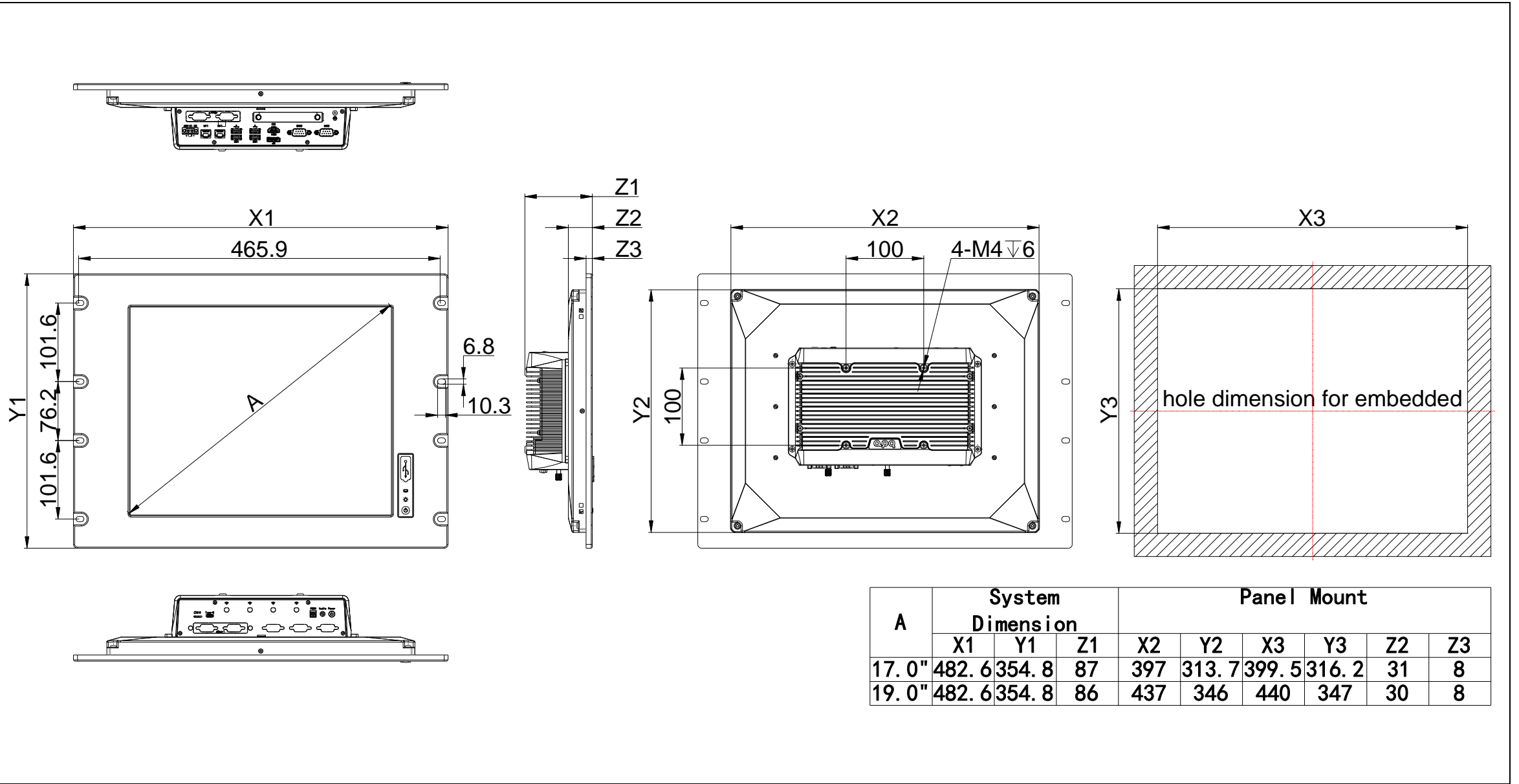


安全控制

产品规格

Model	PG170RF-E6	PG190RF-E6	
LCD	Display Size	17.0"	19.0"
	Display Type	SXGA TFT-LCD	SXGA TFT-LCD
	Max.Resolution	1280 x 1024	1280 x 1024
	Luminance	250 cd/m2	250 cd/m2
	Aspect Ratio	5:4	5:4
	Viewing Angle	85/85/80/80°	89/89/89/89°
	Max. Color	16.7M	16.7M
	Backlight Lifetime	30,000 hr	30,000 hr
Contrast Ratio	1000:1	1000:1	
Touchscreen	Touch Type	5-Wire Resistive Touch	
	Controller	USB signal	
	Input	Finger/Touch pen	
	Light Transmission	≥78%	
	Hardness	≥3H	
	Click lifetime	100gf, 10 million times	
	Stroke lifetime	100gf, 1 million times	
Response time	≤15ms		
Processor System	CPU	Intel® 11 th Generation Core™ i3/i5/i7 Mobile -U CPU	
	Chipset	SOC	
	BIOS	AMI EFI BIOS	
Memory	Socket	2 * DDR4-3200 MHz SO-DIMM Slot	
	Max Capacity	64GB	
Graphics	Controller	Intel® UHD Graphics/Intel® Iris® Xe Graphics (dependent on CPU type)	
Ethernet	Controller	1 * Intel® i210AT (10/100/1000/2500 Mbps, RJ45) 1 * Intel® i219 (10/100/1000 Mbps, RJ45)	
	SATA	1 * SATA3.0 Connector	
Storage	M.2	1 * M.2 Key-M (SSD, 2280, NVMe+SATA3.0)	
	aDoor	2 * aDoor Expansion Slot	
Expansion Slots	aDoor Bus	1 * aDoor Bus (16*GPIO + 4*PCIe + 1*I2C)	
	Mini PCIe	1 * Mini PCIe Slot (PCIe x1+USB 2.0, with Nano SIM Card) 1 * Mini PCIe Slot (PCIe x1+USB 2.0)	
	USB	2 * USB3.2 Gen2x1 (Type-A) 2 * USB3.2 Gen1x1 (Type-A)	
Front I/O	Ethernet	2 * RJ45	
	Display	1 * DP: up to 4096x2304@60Hz 1 * HDMI (Type-A): up to 3840x2160@24Hz	
	Serial	2 * RS232/485 (COM1/2, DB9/M, BIOS control)	
	Switch	1 * AT/ATX Mode Switch (Enable/Disable automatically power on)	
	Button	1 * Reset (hold down 0.2 to 1s to restart, 3s to clear CMOS) 1 * OS Rec (system recovery)	
	Power	1 * Power Input Connector (12~28V)	
	Rear I/O	USB	1 * Type-C
SIM		1 * Nano SIM Card Slot (Mini PCIe module provide functional support)	
Button		1 * Power Button+Power LED 1 * PS_ON	
Audio		1 * 3.5mm Audio Jack (LineOut+MIC, CTIA)	
Internal I/O	Front Panel	1 * Front Panel (wafer, 3x2Pin, PHD2.0)	
	FAN	1 * CPU FAN (4x1Pin, MX1.25) 1 * SYS FAN (4x1Pin, MX1.25)	
	Serial	1 * COM3/4 (5x2Pin, PHD2.0) 1 * COM5/6 (5x2Pin, PHD2.0)	
	USB	4 * USB2.0 (2*5x2Pin, PHD2.0)	
	LPC	1 * LPC (8x2Pin, PHD2.0)	
	Storage	1 * SATA3.0 7Pin Connector 1 * SATA Power	
	Audio	1 * Speaker (2-W (per channel)/8-Ω Loads, 4x1Pin, PH2.0)	
	GPIO	1 * 16bits DIO (8xDI and 8xDO, 10x2 Pin, PHD2.0)	
Power Supply	Type	DC	
	Power Input Voltage	12~28VDC	
	Connector	1 * 2Pin Power Input Connector (P=5.08mm)	
	RTC Battery	CR2032 Coin Cell	
OS Support	Windows	Windows 10	
	Linux	Linux	
Watchdog	Output	System Reset	
	Interval	Programmable 1 ~ 255 sec	
Mechanical	Enclosure Material	Radiator/Panel: Aluminum, Box/Cover: SGCC	
	Mounting	Rack-mount, VESA, embedded	
	Dimensions	482.6mm(L) * 354.8mm(W) * 87mm(H)	482.6mm(L) * 354.8mm(W) * 86mm(H)
	Weight	Net: 6.2kg, Total:9.2kg	Net: 7.6kg, Total: 10.9kg
Environment	Heat Dissipation System	Passive heat dissipation	
	Operating Temperature	0~50℃	
	Storage Temperature	-20~60℃	
	Relative Humidity	10 to 95% RH (non-condensing)	
	Vibration During Operation	With SSD: IEC 60068-2-64 (1Grms@5~500Hz, random, 1hr/axis)	
Shock During Operation	With SSD: IEC 60068-2-27 (15G, half sine, 11ms)		

产品尺寸



产品 I/O

