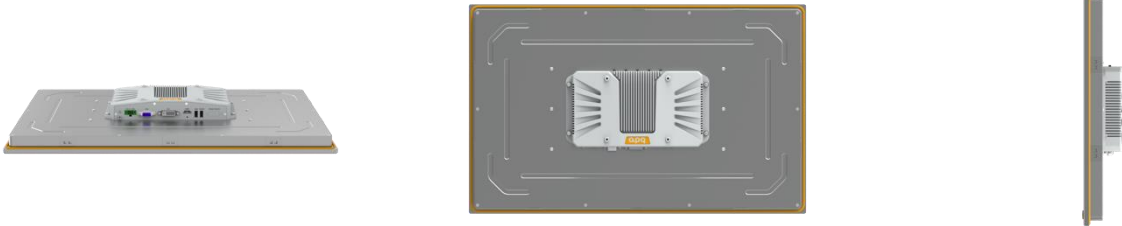




特点:

- 全系全面屏设计
- 全系铝合金模具压铸成型设计
- 前面板满足 IP65 要求
- 模块化设计 10.1~21.5" 可选
- 支持方屏/宽屏选择
- 前面板集成 USB Type-A 和信号指示灯
- 嵌入式/VESA 安装
- 12~28V 直流供电



产品规格

General

- **I/O Ports** HDMI, DVI-D, VGA, USB for touch, USB for front panel
- **Power Input** 2Pin 5.08 phoenix jack (12~28V)
- **Enclosure** Panel: Die cast magnesium alloy, Cover: SGCC
- **Mount Option** VESA, embedded
- **Relative Humidity** 10 to 95% RH (non-condensing)
- **Vibration During Operation** IEC 60068-2-64 (1Grms@5~500Hz, random, 1hr/axis)
- **Shock During Operation** IEC 60068-2-27 (15G, half sine, 11ms)
- **Certification** CE/FCC, RoHS

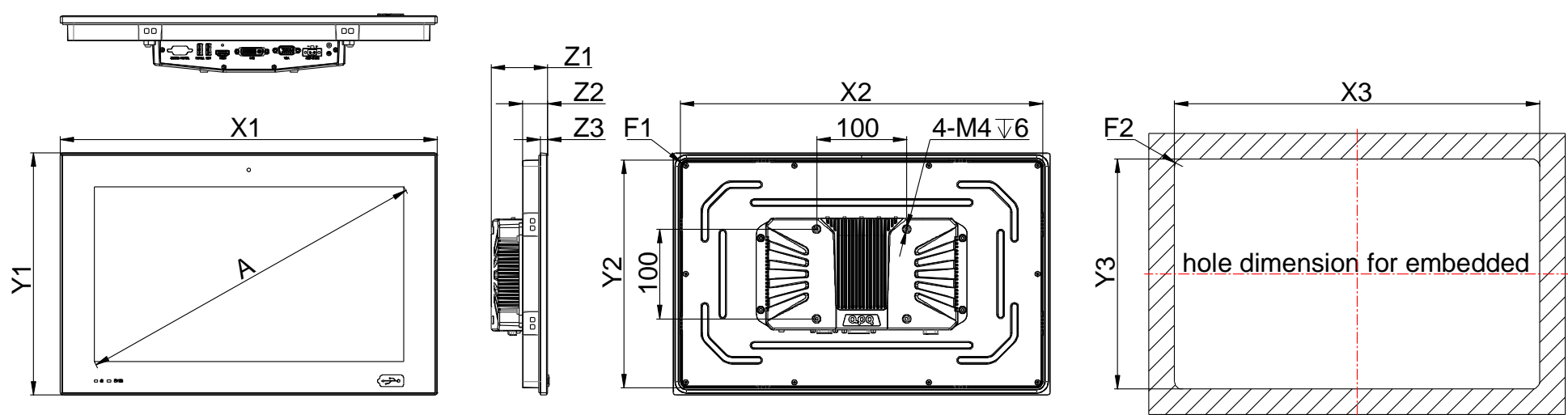
Touch

- **Touch Type** Projected capacitive touch
- **Controller** USB signal
- **Input** Finger/Capacitive touch pen
- **Light Transmission** ≥85%
- **Hardness** ≥6H

显示面板

Model	L101CQ	L104CQ	L121CQ	L150CQ	L156CQ	L170CQ	L185CQ	L191CQ	L215CQ
Display Size	10.1"	10.4"	12.1"	15.0"	15.6"	17.0"	18.5"	19.0"	21.5"
Display Type	WXGA TFT-LCD	XGA TFT-LCD	XGA TFT-LCD	XGA TFT-LCD	FHD TFT-LCD	SXGA TFT-LCD	WXGA TFT-LCD	WXGA TFT-LCD	FHD TFT-LCD
Max. Resolution	1280 x 800	1024 x 768	1024 x 768	1024 x 768	1920 x 1080	1280 x 1024	1366 x 768	1440 x 900	1920 x 1080
Luminance	400 cd/m2	350 cd/m2	350 cd/m2	300 cd/m2	350 cd/m2	250 cd/m2	250 cd/m2	250 cd/m2	250 cd/m2
Aspect Ratio	16:10	4:3	4:3	4:3	16:9	5:4	16:9	16:10	16:9
Viewing Angle	89/89/89/89	88/88/88/88	80/80/80/80	88/88/88/88	89/89/89/89	85/85/80/80	89/89/89/89	85/85/80/80	89/89/89/89
Max. Color	16.7M	16.2M	16.7M	16.7M	16.7M	16.7M	16.7M	16.7M	16.7M
Backlight Lifetime	20,000 hrs	50,000 hrs	30,000 hrs	70,000 hrs	50,000 hrs	30,000 hrs	30,000 hrs	30,000 hrs	50,000 hrs
Contrast Ratio	800:1	1000:1	800:1	2000:1	800:1	1000:1	1000:1	1000:1	1000:1
Operating Temperature	-20~60°C	-20~70°C	-20~70°C	-20~70°C	-20~70°C	0~50°C	0~50°C	0~50°C	0~60°C
Storage Temperature	-20~60°C	-20~70°C	-30~80°C	-30~70°C	-30~70°C	-20~60°C	-20~60°C	-20~60°C	-20~60°C
Weight	Net:2.1 kg, Total:4.3 kg	Net:2.5kg, Total:4.7 kg	Net:2.9kg, Total:5.3 kg	Net:4.3kg, Total:6.8 kg	Net:4.5kg, Total:6.9kg	Net:5kg, Total:7.6 kg	Net:5.1kg, Total:8.2 kg	Net:5.5kg, Total:8.3 kg	Net:5.8kg, Total:8.8 kg
Dimensions (L*W*H,Unit:mm)	272.1*192.7*63	284*231.2*63	321.9*260.5*63	380.1*304.1*63	420.3*269.7*63	414*346.5*63	485.7*306.3*63	484.6*332.5*63	550*344*63

产品尺寸



A	System Dimension						Panel Mount				
	X1	Y1	Z1	X2	Y2	Z2	X3	Y3	Z3	F1	F2
10.1"	272.1	192.7	63	260.9	181.5	28	262.5	183.1	8	6.9	7.8
10.4"	284	231.2	63	268.1	215.3	28	269.9	217.1	8	7.1	8.5
12.1"	321.9	260.5	63	307	245.6	28	309.8	248.4	8	7.1	8.5
15.0"	380.1	304.1	63	364.2	288.2	28	367	291	8	7.1	8.5
15.6"	420.3	269.7	63	404.5	253.8	28	407.3	256.6	8	7.1	8.5
17.0"	414	346.5	63	398.2	330.6	28	401	333.4	8	7.1	8.5
18.5"	485.7	306.3	63	469.8	290.4	28	472.6	293.2	8	7.1	8.5
19.0"	484.6	332.5	63	468.7	316.6	28	471.5	319.4	8	7.1	8.5
21.5"	550	344	63	538.7	327.7	28	539.5	330.9	8	7.1	8.5

