



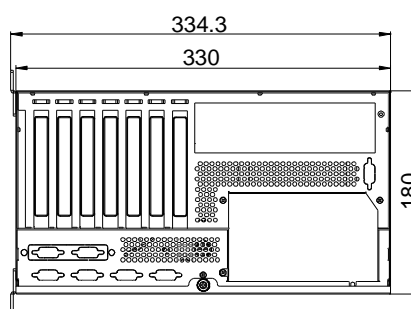
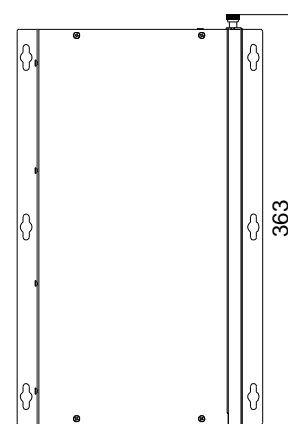
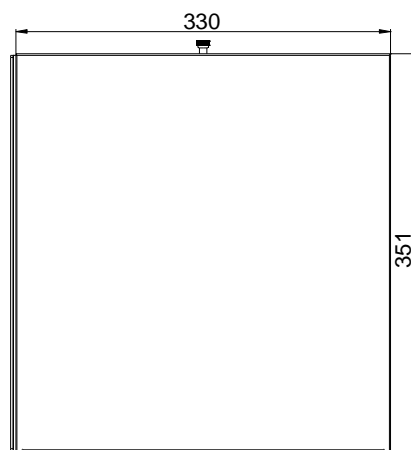
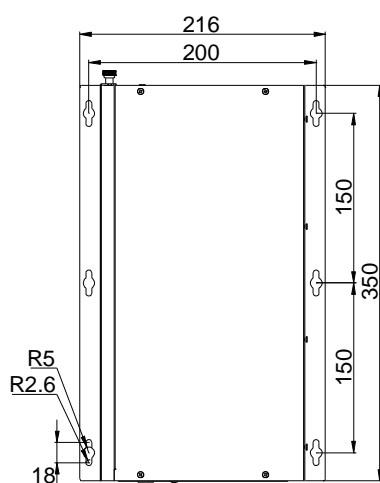
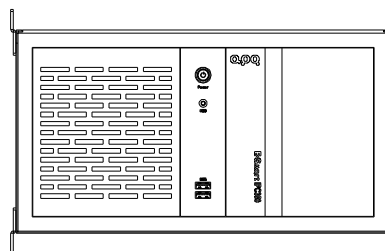
## 特点:

- 紧凑型 7 槽位壁挂式机箱
- 整机全金属设计, 使用更可靠
- 可安装标准 ATX 主板, 支持标准 ATX 电源
- 7 个全高卡扩展槽位, 满足多行业应用需求
- 精心设计的免工具 PCIe 扩展卡固定架、具有更高的抗震性
- 2 个 3.5 英寸抗震抗冲击硬盘位
- 前面板 USB、开关机设计, 电源及存储状态显示, 更易于系统维护

## 产品规格

Model	IPC350	
Processor System	SBC form factor	Supports motherboards with 12" x 9.6" and below sizes
	PSU Type	ATX
	Driver Bays	2 * 3.5" drive bays
	Cooling Fans	1 * PWM Smart FAN (12025, Rear)
	USB	2 * USB 2.0 (Type-A, Rear I/O)
	Expansions Slots	7 * PCI/PCIe full-height expansion slots
	Button	1 * Power Button
	LED	1 * Power status LED 1 * Hard drive status LED
	Optional	5 * DB9 knock out holes (Front I/O) 1 * aDoor knock out holes (Front I/O)
Mechanical	Enclosure Material	SGCC
	Surface technology	Baking paint
	Color	Flash Silver
	Dimensions	330mm (W) x 350mm (D) x 180mm (H)
	Weight	Net.: 4 kg
	Mounting	Wall mounted, Desktop
Environment	Operating Temperature	-20 ~ 60°C
	Storage Temperature	-40 ~ 80°C
	Relative Humidity	5 to 95% RH (non-condensing)

# IPC350立放



# IPC350立放

