

## 特点:

- 高温五线电阻屏
- 标准机柜上架式设计
- 前面板集成 USB Type-A
- 前面板集成信号状态指示灯
- 前面板 IP65 设计
- 模块化设计, 17/19"可选
- 全系铝合金模具压铸成型设计
- 12~28V 直流宽压供电



## 产品规格

### General

- **I/O Ports** HDMI, DVI-D, VGA, USB for touch, USB for front panel
- **Power Input** 2Pin 5.08 phoenix jack (12~28V)
- **Enclosure** Panel: Die cast magnesium alloy, Cover: SGCC
- **Mount Option** Rack-mount, VESA, embedded
- **Relative Humidity** 10 to 95% RH (non-condensing)
- **Vibration During Operation** IEC 60068-2-64 (1Grms@5~500Hz, random, 1hr/axis)
- **Shock During Operation** IEC 60068-2-27 (15G, half sine, 11ms)

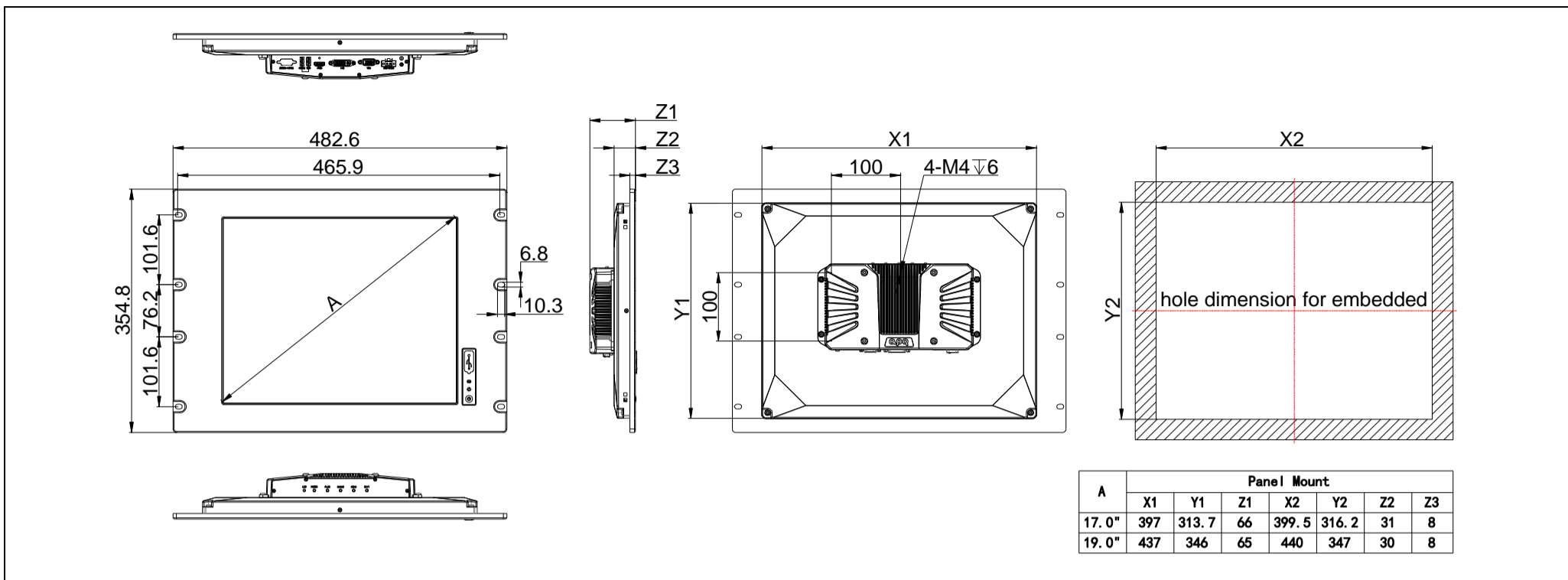
### Touch

- **Touch Type** Five-wire analog resistive
- **Controller** USB signal
- **Input** Finger/Touch pen
- **Light Transmission** ≥78%
- **Hardness** ≥3H
- **Click lifetime** 100gf, 10 million times
- **Stroke lifetime** 100gf, 1 million times
- **Response time** ≤15ms

## 显示面板

Model	G170RF	G190RF
Display Size	17.0" (SXGA)a-Si TFT-LCD	19.0" (SXGA)a-Si TFT-LCD
Display Type	SXGA TFT-LCD	SXGA TFT-LCD
Max. Resolution	1280 x 1024	1280 x 1024
Luminance	250 cd/m <sup>2</sup>	250 cd/m <sup>2</sup>
Aspect Ratio	5:4	5:4
Viewing Angle	85/85/80/80	89/89/89/89
Max. Color	16.7M	16.7M
Backlight Lifetime	30,000 hrs	30,000 hrs
Contrast Ratio	1000:1	1000:1
Operating Temperature	0~50°C	0~50°C
Storage Temperature	-20~60°C	-20~60°C
Weight	Net:5.2 Kg, Total:8.2 Kg	Net:6.6 Kg, Total:9.8 Kg
Dimensions(L*W*H)	482.6mm * 354.8mm * 66mm	482.6mm * 354.8mm * 65mm

产品尺寸



产品 I/O

