

特点:

- 采用 Intel® Celeron® J1900 超低功耗处理器
- 集成双 Intel® 千兆网卡
- 2 个板载显示接口
- 支持 12~28V 直流宽压电源
- 支持 WiFi/4G 无线扩展
- 超紧凑机身适合更多嵌入式场景



远程管理



状态监控



远程运维



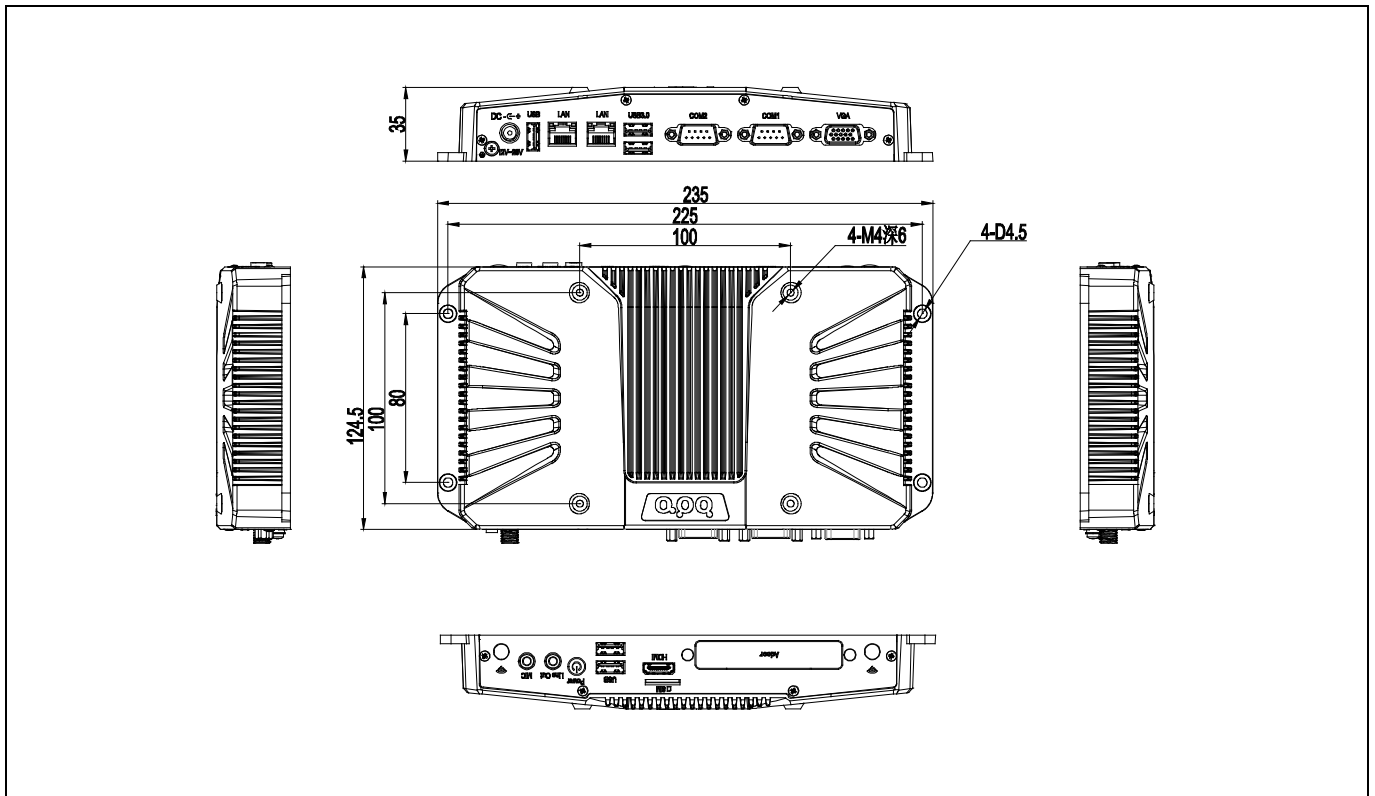
安全控制

产品规格

Model	E5	
Processor System	CPU	Intel® Celeron® Processor J1900, FCBGA1170
	TDP	10W
	Chipset	SOC
	BIOS	AMI UEFI BIOS
Memory	Socket	DDR3L-1333 MHz (Onboard)
	Max Capacity	4GB
Graphics	Controller	Intel® HD Graphics
Ethernet	Controller	2 * Intel® i210-AT (10/100/1000 Mbps, RJ45)
Storage	SATA	1 * SATA2.0 Connector (2.5-inch hard disk with 15 + 7pin)
	mSATA	1 * mSATA Slot
Expansion Slots	aDoor	1 * aDoor Expansion Module
	Mini PCIe	1 * Mini PCIe Slot (PCIe2.0 x1 + USB2.0, with 1 * Nano SIM Card)
Front I/O	USB	2 * USB3.0 (Type-A) 1 * USB2.0 (Type-A)
	Ethernet	2 * RJ45
	Display	1 * VGA: max resolution up to 1920*1200 @ 60Hz
	Serial	2 * RS232/485 (COM1/2, DB9/M)
	Power	1 * Power Input Connector (12~28V)
Rear I/O	USB	1 * USB3.0 (Type-A) 1 * USB2.0 (Type-A)
	SIM	1 * SIM Card slot
	Button	1 * Power Button + Power LED

	Audio	1 * 3.5mm Line-out Jack 1 * 3.5mm MIC Jack
	Display	1 * HDMI: max resolution up to 1920*1200 @ 60Hz
Internal I/O	Front Panel	1 * TFront Panel (3 * USB2.0 + Front Panel, wafer) 1 * Front Panel (wafer)
	FAN	1 * SYS FAN (wafer)
	Serial	2 * COM (JCOM3/4, wafer)
	USB	2 * USB2.0 (wafer) 1 * USB2.0 (wafer)
	Display	1 * LVDS (wafer)
	Audio	1 * Front Audio (Line-Out + MIC, header) 1 * Speaker (2-W (per channel)/8-Ω Loads, wafer)
	GPIO	1 * 8bits DIO (4xDI and 4xDO, header)
	Power Supply	Type
Power Input Voltage		12~28VDC
Connector		1 * DC5525 with lock
RTC Battery		CR2032 Coin Cell
OS Support	Windows	Windows 7/8.1/10
	Linux	Linux
Watchdog	Output	System Reset
	Interval	Programmable 1 ~ 255 sec
Mechanical	Enclosure Material	Radiator: Aluminum alloy, Box: Aluminum alloy
	Dimensions	235mm(L) * 124.5mm(W) * 35mm(H)
	Weight	Net: 0.9Kg Total: 1.9Kg (Include packaging)
	Mounting	VESA, Wall mounted, Desk mounting
Environment	Heat Dissipation System	Passive heat dissipation
	Operating Temperature	-20~60°C
	Storage Temperature	-40~80°C
	Relative Humidity	5 to 95% RH (non-condensing)
	Vibration During Operation	With SSD: IEC 60068-2-64 (3Grms@5~500Hz, random, 1hr/axis)
	Shock During Operation	With SSD: IEC 60068-2-27 (30G, half sine, 11ms)
	Certification	CCC, CE/FCC, RoHS

产品尺寸



产品 I/O

