



特点:

- 支持 Intel® 6~9th Core™ i3/i5/i7 处理器, TDP=65W
- 搭配 Intel® Q170 芯片组
- 2 个 DDR4-2666MHz SO-DIMM 内存插槽, 最高支持 32GB
- 板载 2 个 Intel 千兆网卡
- PCIe /DDI/SATA/TTL/LPC 等丰富的 I/O 信号
- 采用高可靠 COM-Express 连接器, 满足高速信号传输需求
- 默认浮地设计



远程管理



状态监控



远程运维

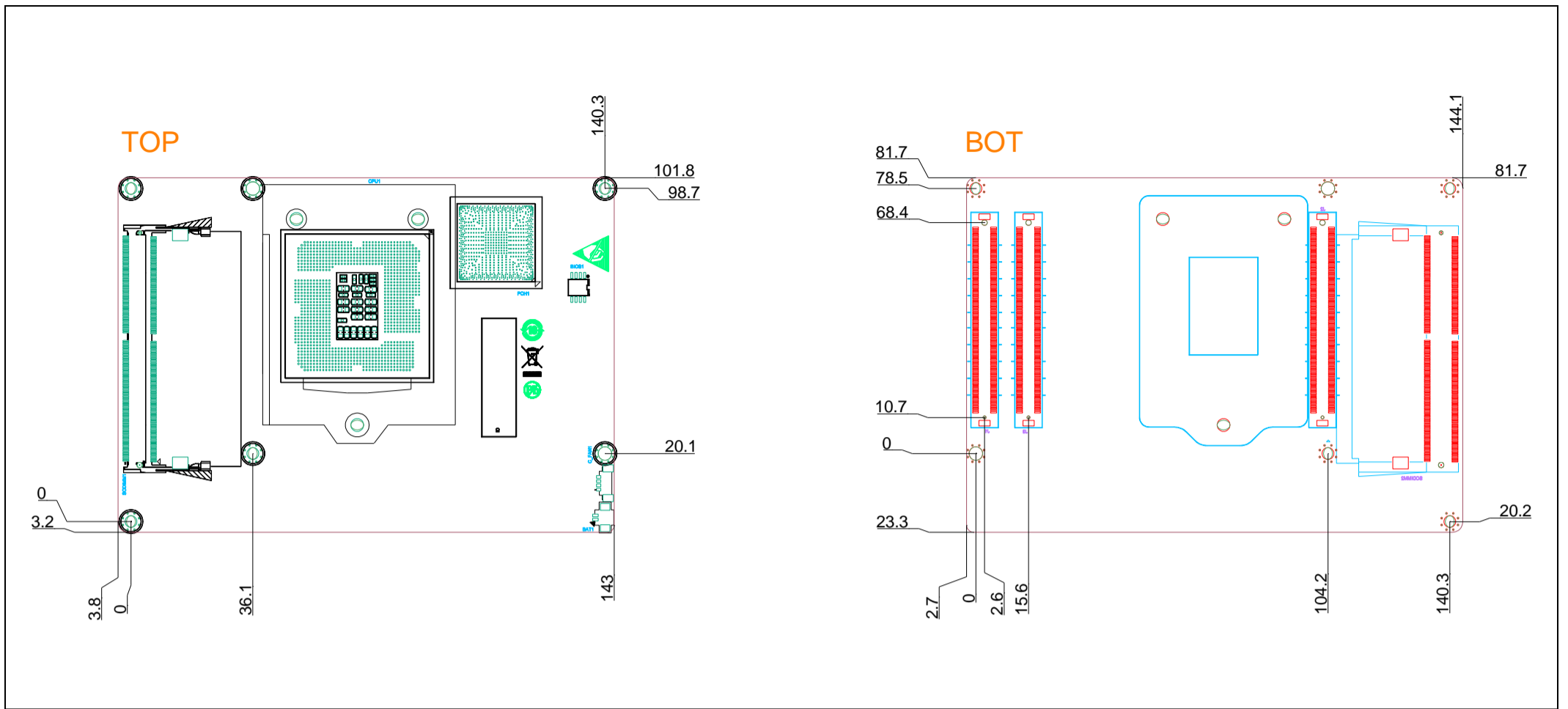


安全控制

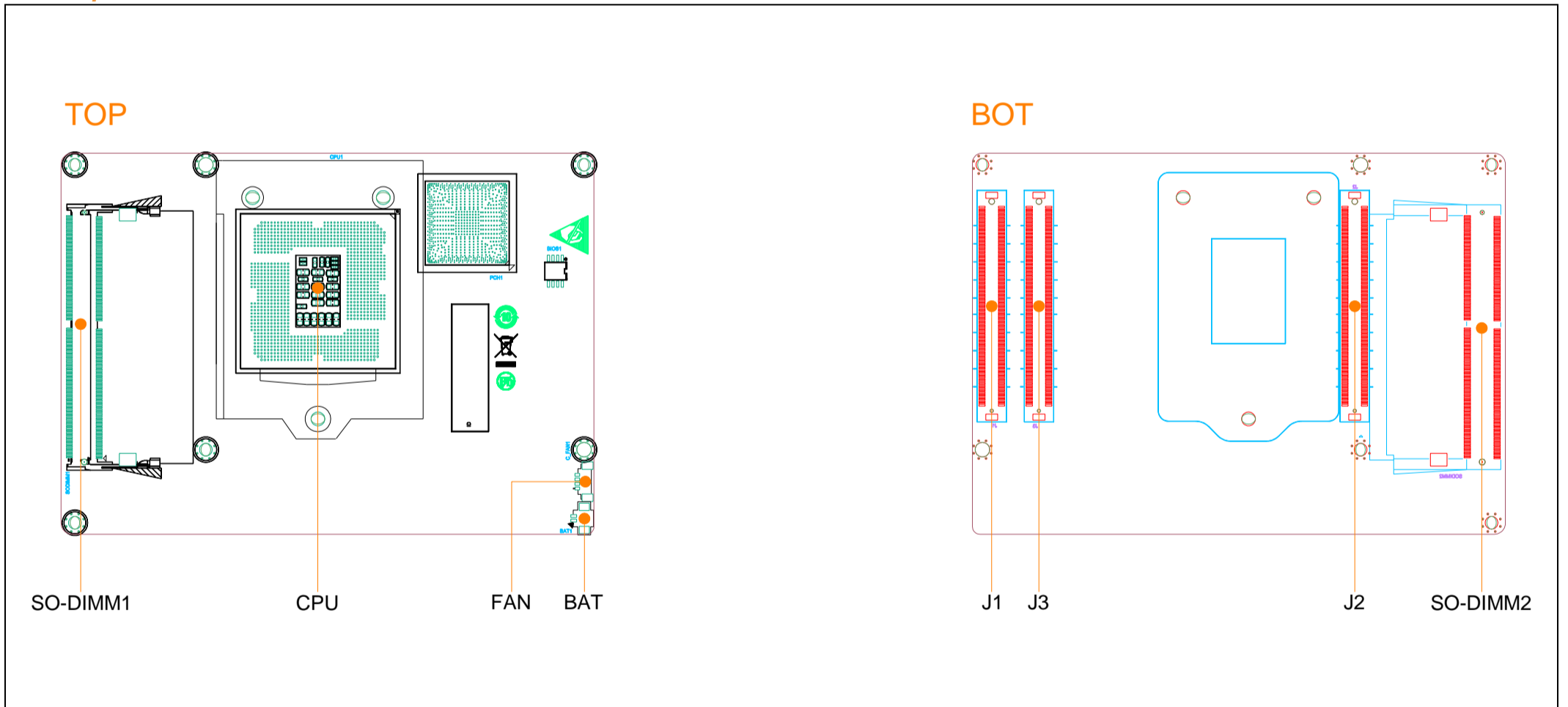
产品规格

Model	CMT-Q170/C236	
Processor System	CPU	Intel® 6~9th Generation Core™ Desktop CPU
	TDP	65W
	Socket	LGA1151
	Chipset	Intel® Q170/C236
	BIOS	AMI 128 Mbit SPI
Memory	Socket	2 * SO-DIMM Slot, Dual Channel DDR4 up to 2666MHz
	Capacity	32GB, Single Max. 16GB
Graphics	Controller	Intel® HD Graphics530/Intel® UHD Graphics 630 (dependent on CPU)
Ethernet	Controller	1 * Intel® i210-AT GbE LAN Chip (10/100/1000 Mbps)
		1 * Intel® i219-LM/V GbE LAN Chip (10/100/1000 Mbps)
Expansion I/O	PCIe	1 * PCIe x16 gen3, bifurcatable to 2 x8
		2 * PCIe x4 Gen3, bifurcatable to 1 x4/2 x2/4 x1
		1 * PCIe x4 Gen3, bifurcatable to 1 x4/2 x2/4 x1(Optional NVMe, Default NVMe)
		1 * PCIe x4 Gen3, bifurcatable to 1 x4/2 x2/4 x1(Optional 4 * SATA, Default 4 * SATA)
		2 * PCIe x1 Gen3
	NVMe	1 Ports (PCIe x4 Gen3+SATA III,Optional 1 * PCIe x4 Gen3, bifurcatable to 1 x4/2 x2/4 x1, Default NVMe)
	SATA	4 Ports support SATA III 6.0Gb/s (Optional 1 * PCIe x4 Gen3, bifurcatable to 1 x4/2 x2/4 x1, Default 4 * SATA)
	USB3.0	6 Ports
	USB2.0	14 Ports
	Audio	1 * HDA
	Display	2 * DDI
1 * eDP		
Serial	6 * UART(COM1/2 9-Wire)	
GPIO	16 * bits DIO	
Other	1 * SPI	
	1 * LPC	
	1 * SMBUS	
	1 * I ² C	
	1 * SYS FAN	
	8 * USB GPIO Power On/Off	
Internal I/O	Memory	2 * DDR4 SO-DIMM Slot
	B2B Connector	3 * 220Pin COM-Express connector
	FAN	1 * CPU FAN (4x1Pin, MX1.25)
Power Supply	Type	ATX: Vin, VSB; AT: Vin
	Supply Voltage	Vin:12V VSB:5V
OS Support	Windows	Windows 7/10
	Linux	Linux
Watchdog	Output	System Reset
	Interval	Programmable 1 ~ 255 sec
Mechanical	Dimensions	146.8mm * 105mm
Environment	Operating Temperature	-20 ~ 60°C
	Storage Temperature	-40 ~ 80°C
	Relative Humidity	10 to 95% RH (non-condensing)

产品尺寸



产品 I/O



功能框图

