



特点:

- 支持 Intel® Alder Lake-N 系列移动 CPU
- 1 个 DDR4 SO-DIMM 插槽, 最大支持 16GB
- HDMI、DP、VGA 三路显示输出,
- 可选 2/4 个带 POE 功能的 Intel® i350 千兆网络接口扩展
- 可选 4 路光源扩展
- 可选 8 路光电隔离数字输入, 8 路光电隔离数字输出扩展
- 可选 PCIe x4/ PCI 扩展
- 支持 WiFi/4G 无线扩展
- 内置 USB 2.0 Type-A 便于安装加密狗
- 支持桌面式、壁挂式、DIN 导轨
- 无风扇被动散热
- 12~28V 直流供电

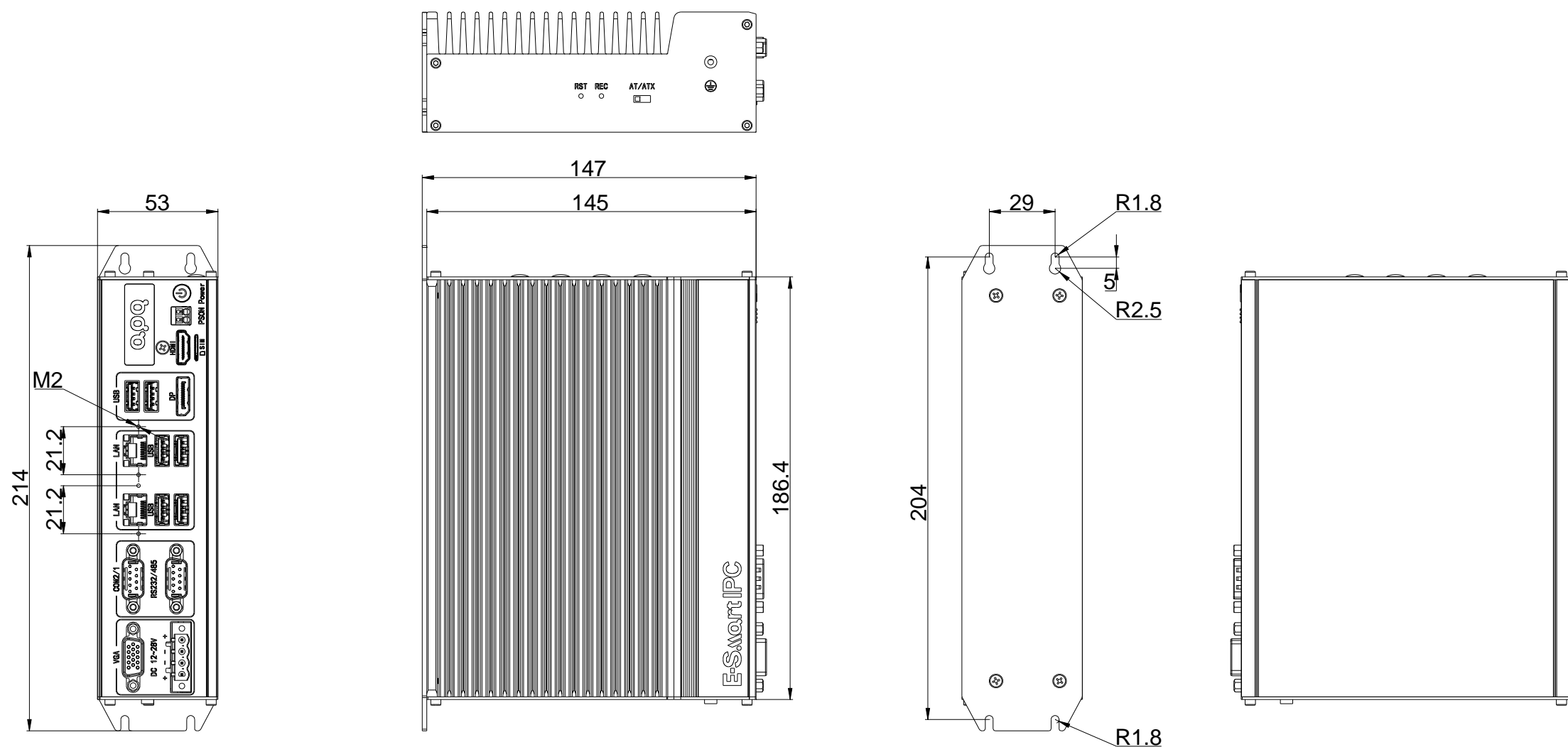


产品规格

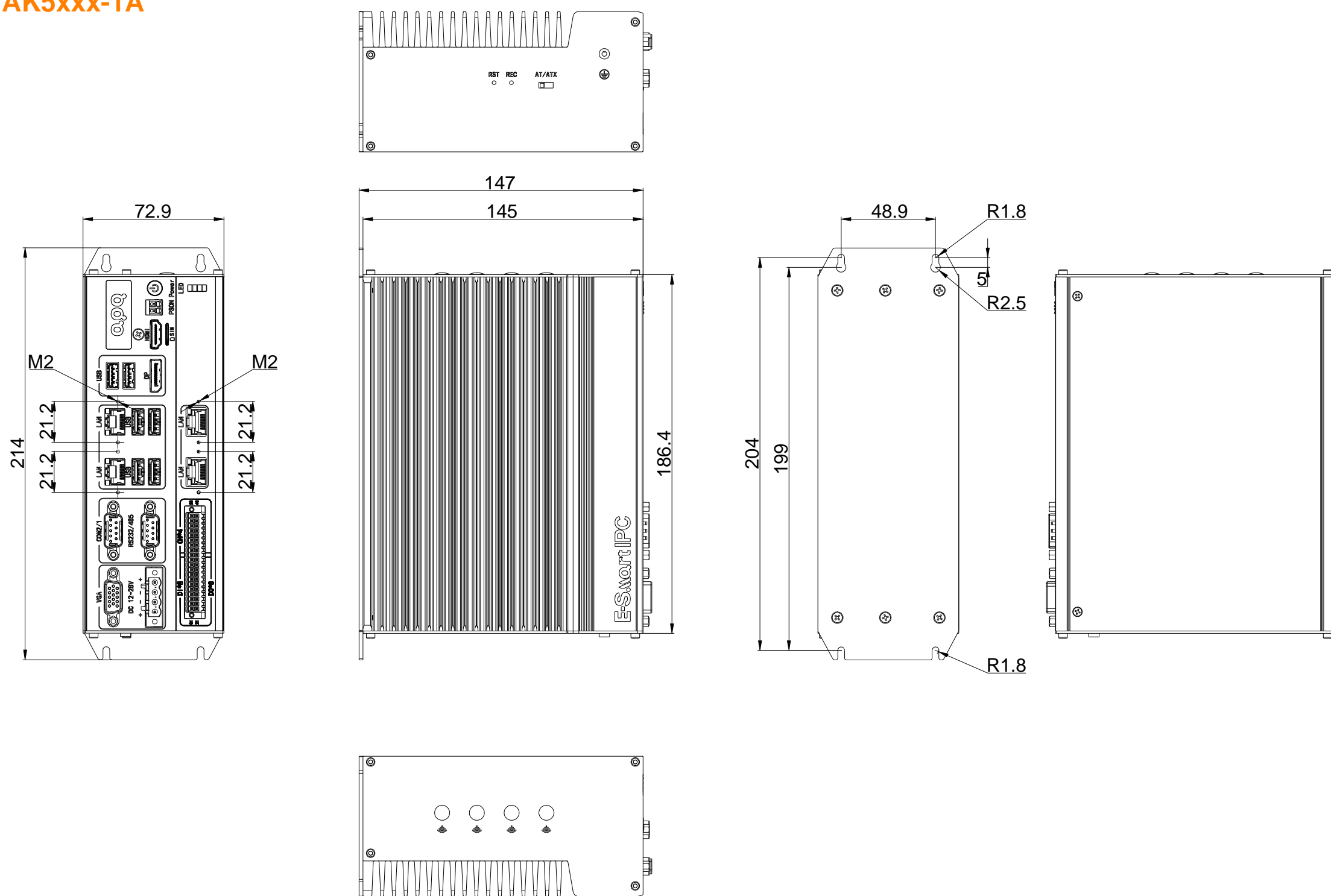
Model		AK5xxx	AK5xxx-1A/1B	AK5xxx-2A	AK5xxx-3A
CPU	CPU	Intel® Alder Lake-N Series Processor			
	TDP	12/15W			
	Chipset	SOC			
BIOS	BIOS	AMI UEFI BIOS			
Memory	Socket	1 * DDR4 SO-DIMM Slot, up to 3200MHz			
	Max Capacity	16GB			
Graphics	Controller	Intel® UHD Graphics			
Ethernet	Controller	2 * Intel® i210-AT GbE LAN Chip (10/100/1000 Mbps)	2 * Intel® i210-AT GbE LAN Chip (10/100/1000 Mbps) 1 * Intel® i350 GbE LAN Chip (10/100/1000 Mbps)	2 * Intel® i210-AT GbE LAN Chip (10/100/1000 Mbps)	2 * Intel® i210-AT GbE LAN Chip (10/100/1000 Mbps)
Storage	M.2	1 * M.2 Key-M (SATA3.0, 2280)			
Expansion Slots	Mini PCIe	1 * Mini PCIe (PCIe x1 Gen 2 + USB 2.0, with SIM card slot)			
	PCIe/PCI	N/A	N/A	1 * PCIe x4	1 * PCI
Front I/O	USB	4 * USB3.0 (Type-A) 2 * USB2.0 (Type-A)			
	Serial	2 * RS232/485 (COM1/2, DB9/M, Full lanes, BIOS switch)			
	Display	1 * HDMI: max resolution up to 4096*2304 @ 24Hz 1 * DP: max resolution up to 4096*2160 @ 60Hz 1 * VGA: max resolution up to 1920*1200 @ 60Hz			
	LAN/POE	2 * RJ45	2 * RJ45 AK5xxx-1A: 2 * RJ45, Intel® i350-AM2, optional POE module, 802.3at/af, total 60W AK5xxx-1B: 4 * RJ45, Intel® i350-AM4, optional POE module, 802.3at/af, total 60W	2 * RJ45	2 * RJ45
	Light Source	N/A	4 * Light Source Output (24V, Max. 1A per channel, PWM control)	N/A	N/A
	GPIO	N/A	1 * 16bits DIO (8xDI, optical isolation; 8xDO, optical isolation)	N/A	N/A
	Power	1 * DC Power Input	1 * DC Power Input	1 * DC Power Input	1 * DC Power Input
	SIM	1 * Nano SIM Card slot (Mini PCIe module provide functional support)			
	Button	1 * Power Button + Power LED 1 * PS_ON Connector			
	Bottom I/O	Switch	1 * AT/ATX Mode Switch (Enable/Disable automatically power on)		
Button		1 * Reset (Hold down 0.2 to 1s to restart, 3s to clear CMOS) 1 * OS Rec (system recovery)			
PCIe/PCI		N/A	N/A	1 * PCIe x4	1 * PCI
Power Supply	Type	DC			
	Power Input Voltage	12 ~ 28VDC Note: When using the light source, 24V input must be used.			
	Connector	1 * 4Pin Power Input Connector (P= 5.08mm)			
	RTC Battery	CR2032 Coin Cell			
OS Support	Windows	Windows 10/11			
	Linux	Linux			
Watchdog	Output	System Reset			
	Interval	Programmable via Software from 1 to 255 sec			
Mechanical	Enclosure Material	Radiator/Box: Aluminum alloy, Top/Bottom Cover: SGCC			
	Dimensions	53mm(L) * 145mm(W) * 186.4mm(H)	72.9mm(L) * 145mm(W) * 186.4mm(H)	72.9mm(L) * 145mm(W) * 186.4mm(H)	72.9mm(L) * 145mm(W) * 186.4mm(H)
	Mounting	Wall mounted, DIN, Desktop			
Environment	Heat Dissipation System	Passive Heat Dissipation			
	Operating Temperature	-20~60℃ (Industrial SSD)			
	Storage Temperature	-40~80℃ (Industrial SSD)			
	Relative Humidity	5 to 90% RH (non-condensing)			
	Vibration During Operation	With SSD: IEC 60068-2-64 (3Grms@5~500Hz, random, 1hr/axis)			
Shock During Operation	With SSD: IEC 60068-2-27 (30G, half sine, 11ms)				

# 产品尺寸

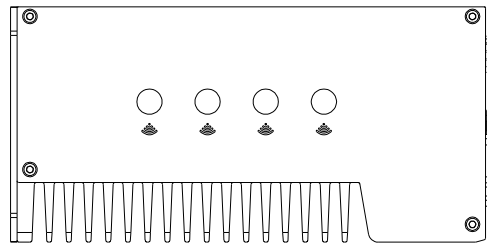
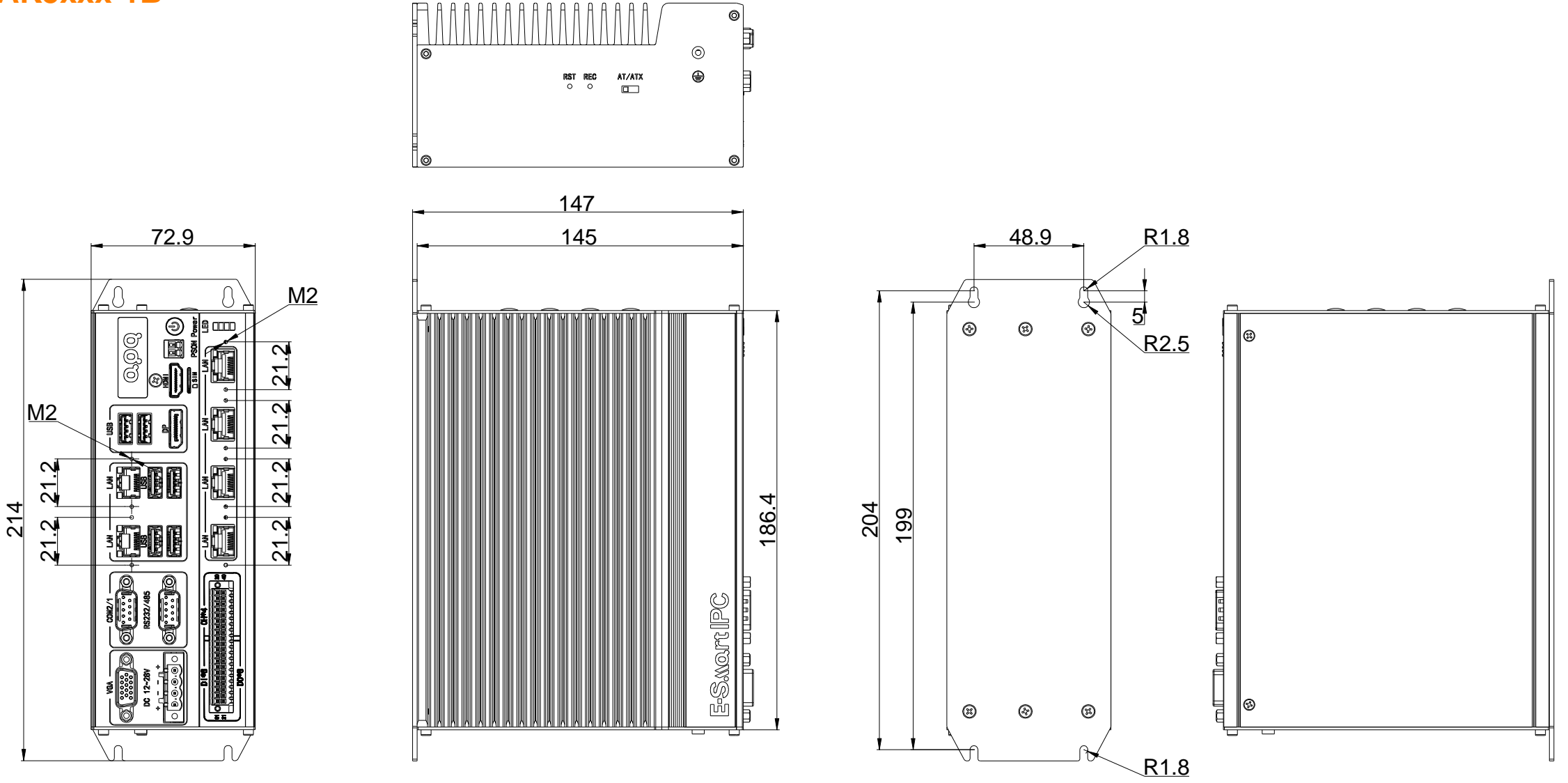
## AK5xxx



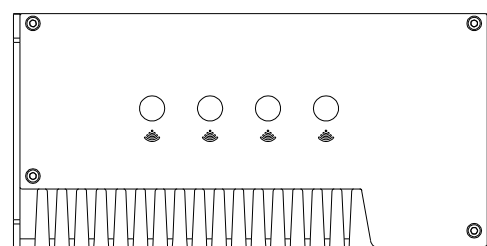
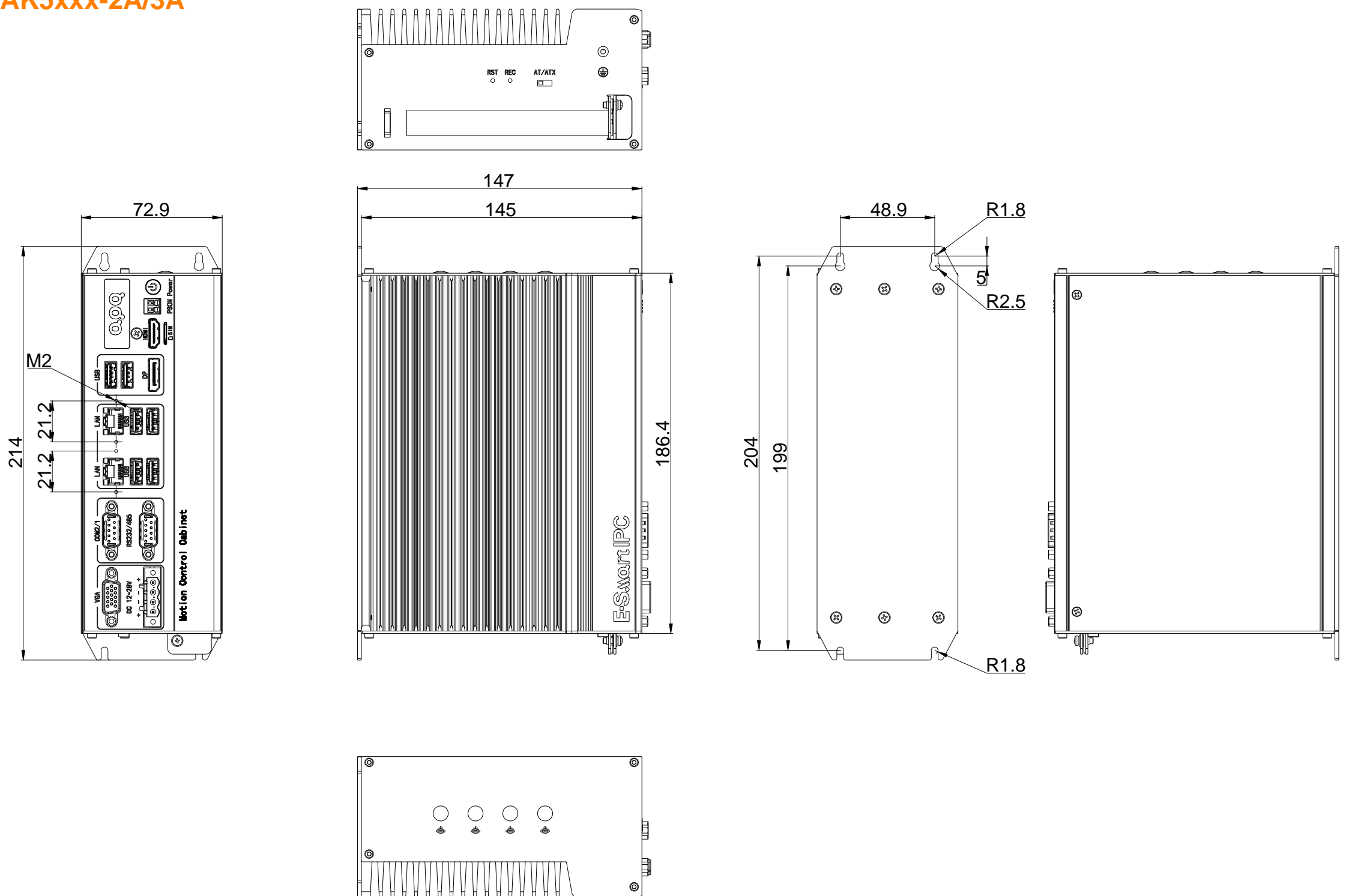
## AK5xxx-1A



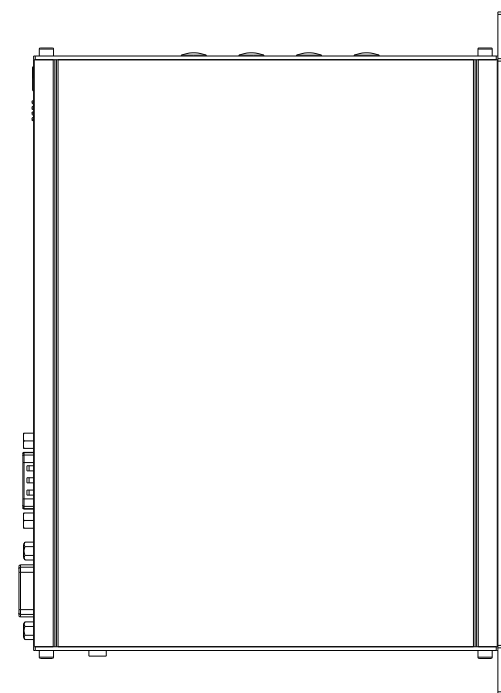
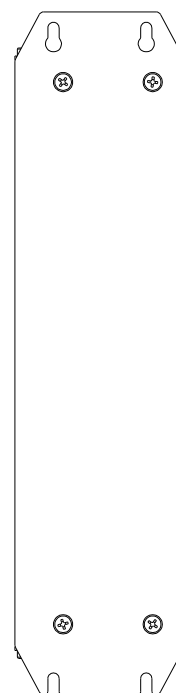
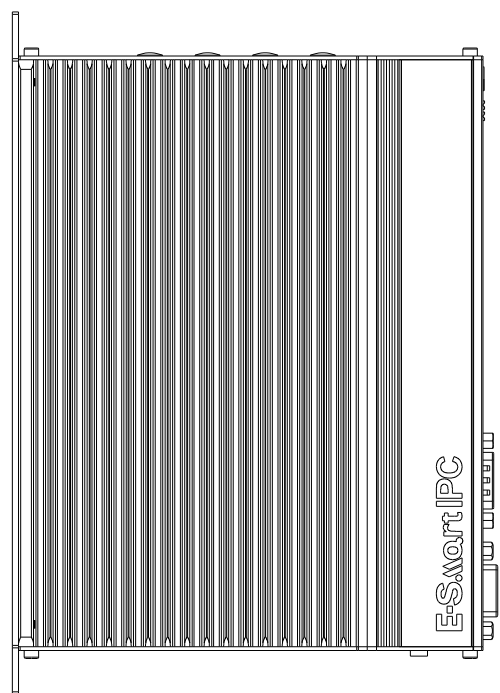
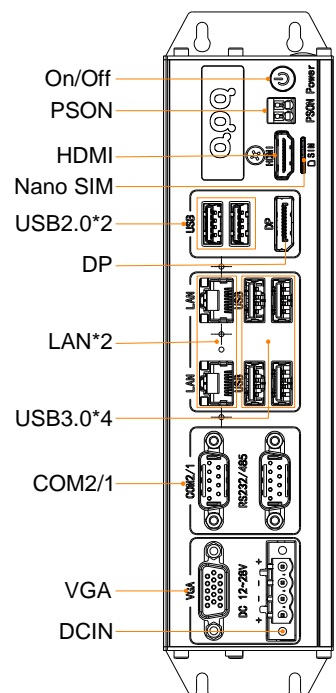
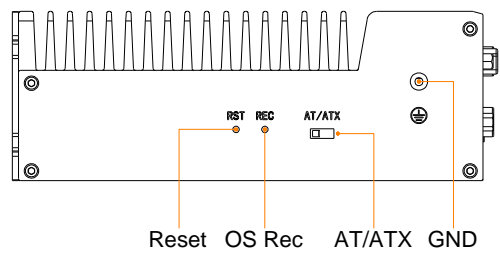
AK5xxx-1B



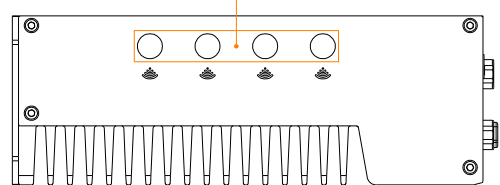
AK5xxx-2A/3A



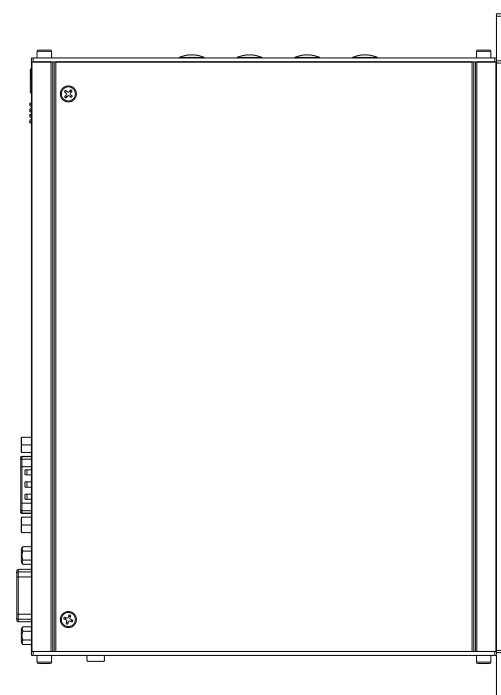
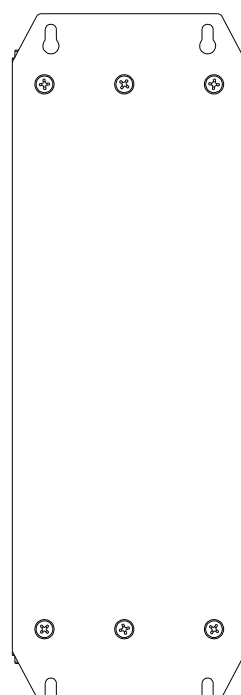
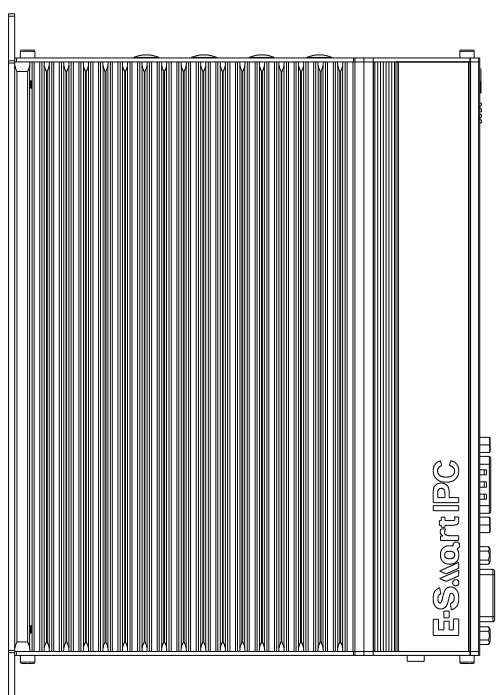
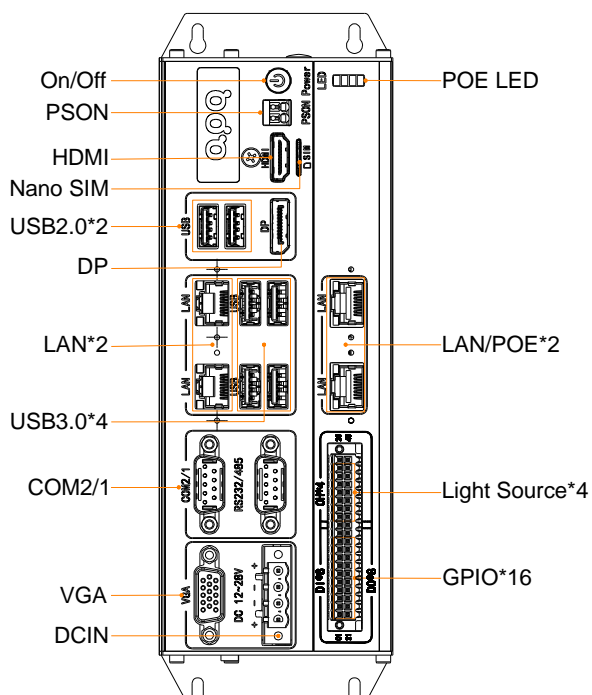
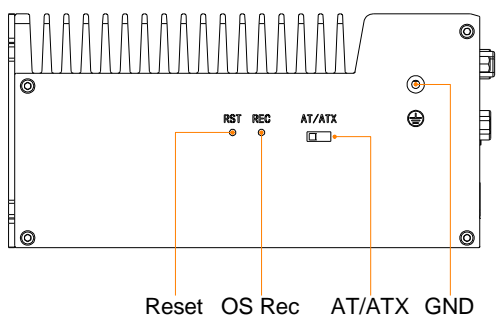
### AK5xxx



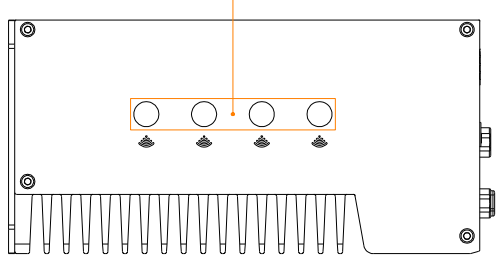
Antenna\*4



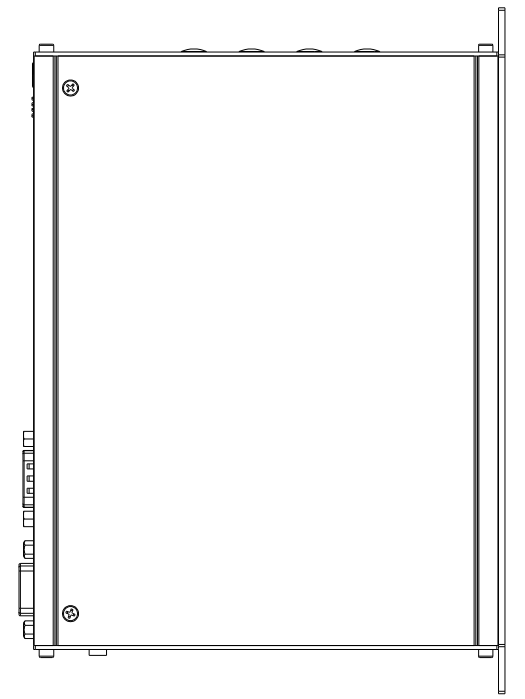
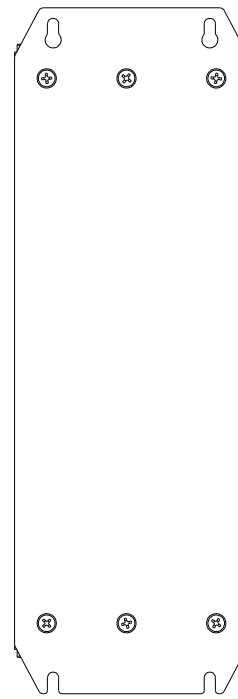
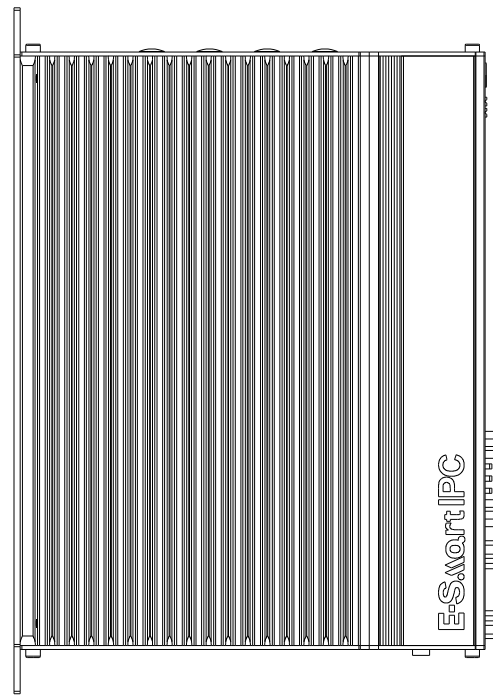
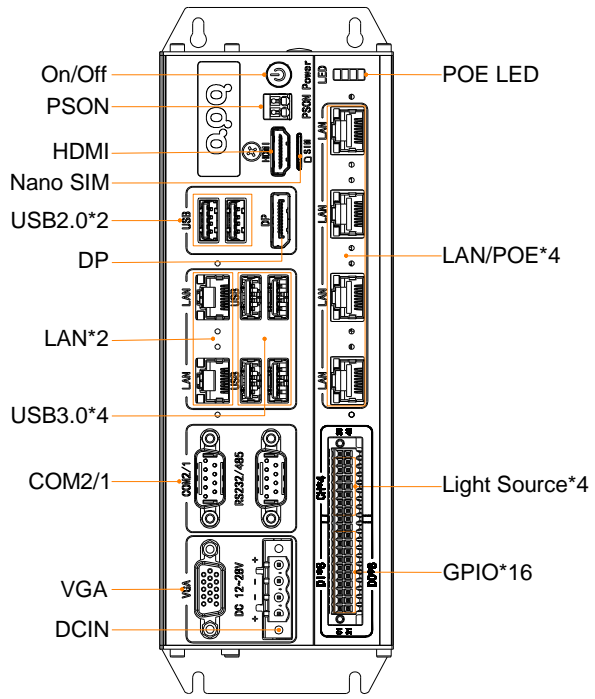
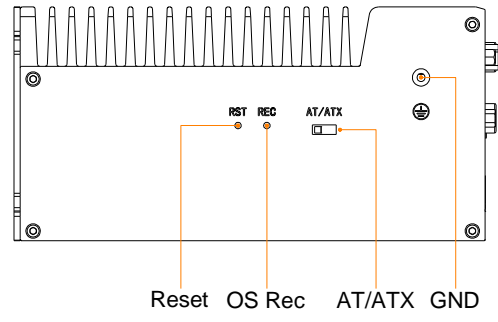
### AK5xxx-1A



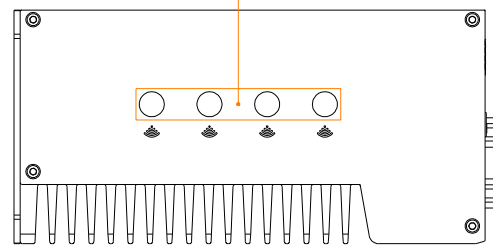
Antenna\*4



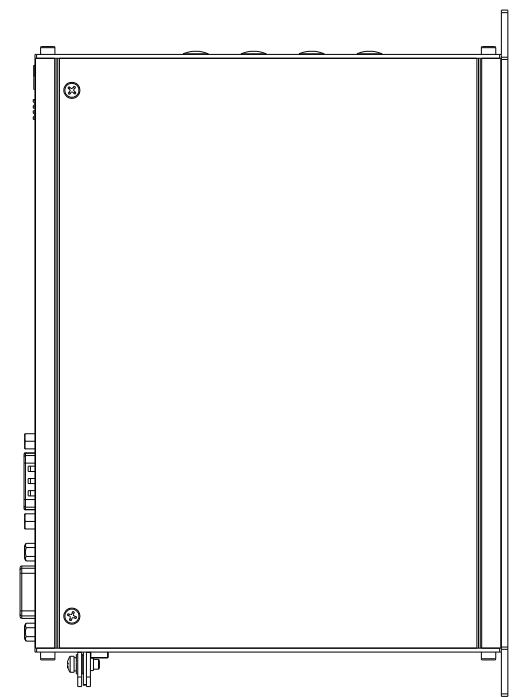
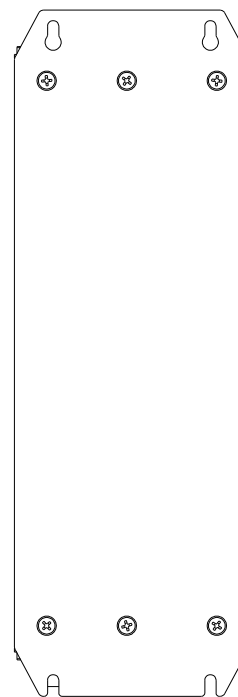
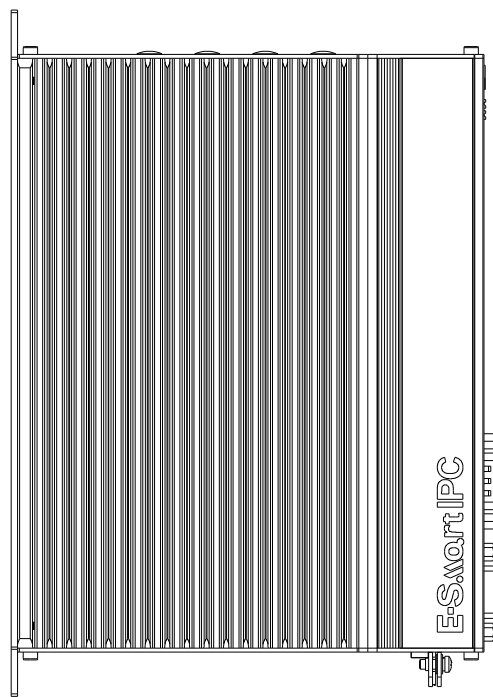
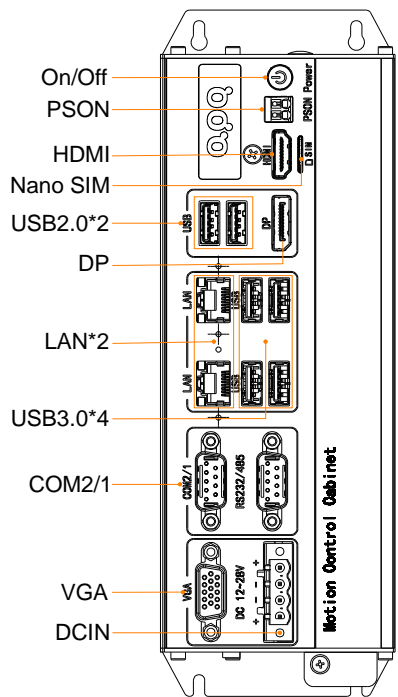
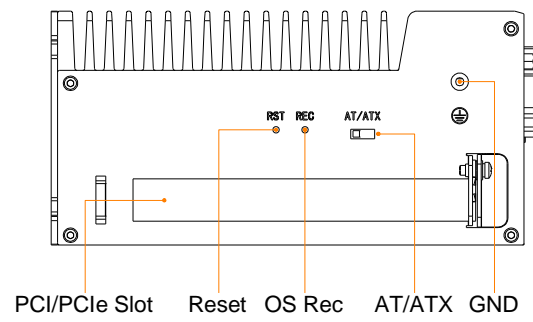
### AK5xxx-1B



Antenna\*4



### AK5xxx-2A/3A



Antenna\*4

